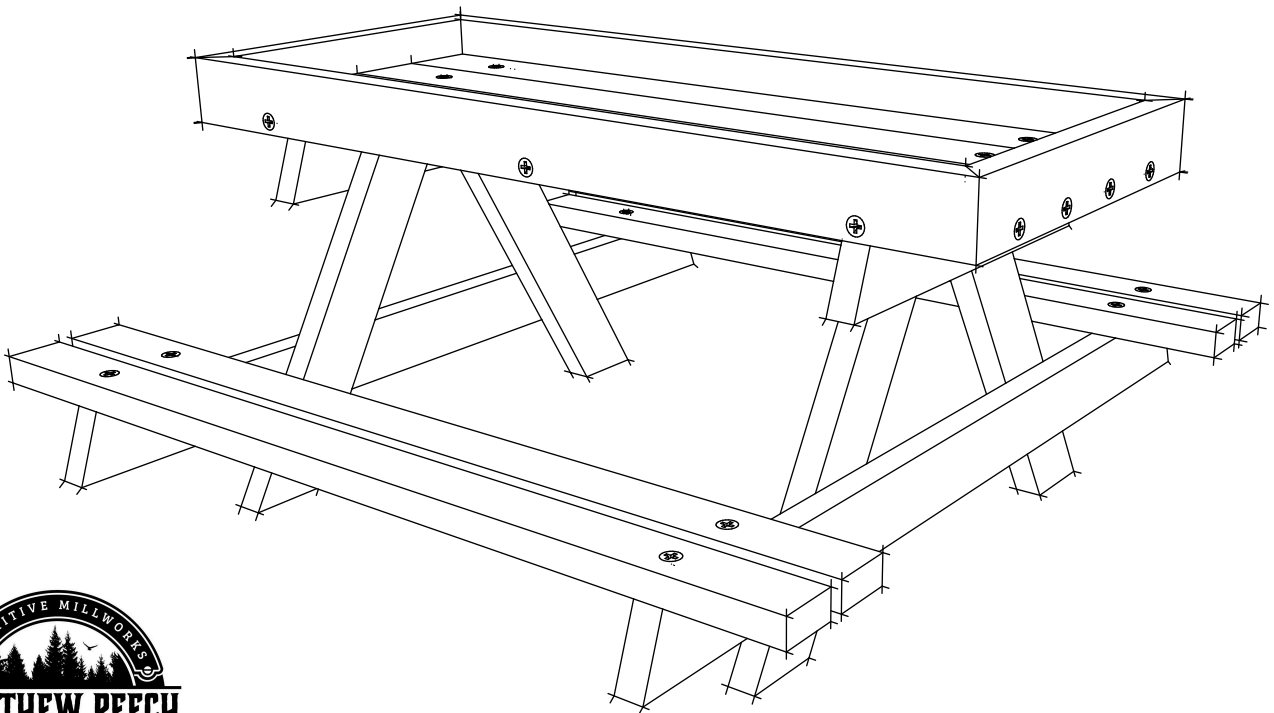


One Picket Chicken Picnic Table



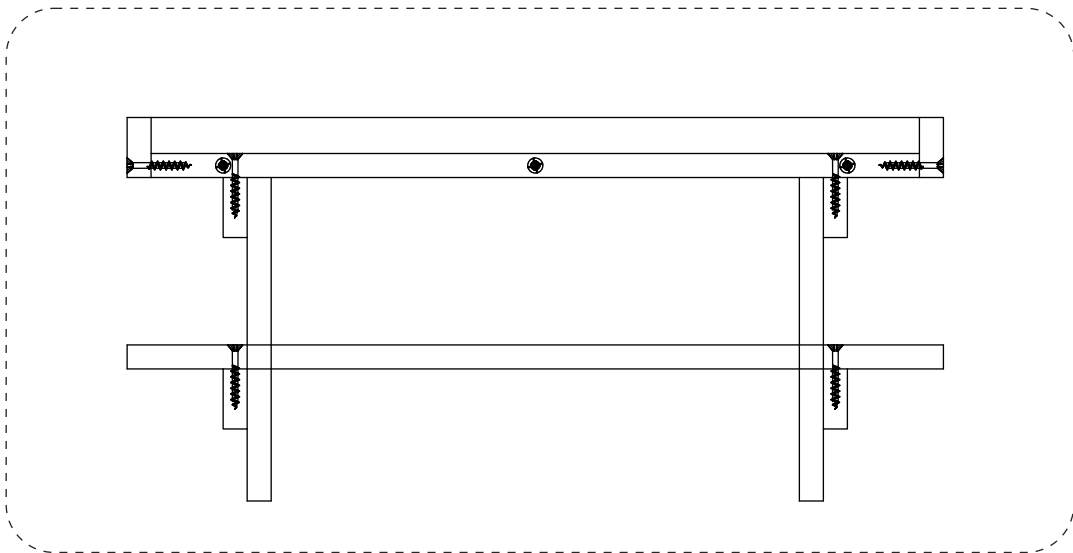
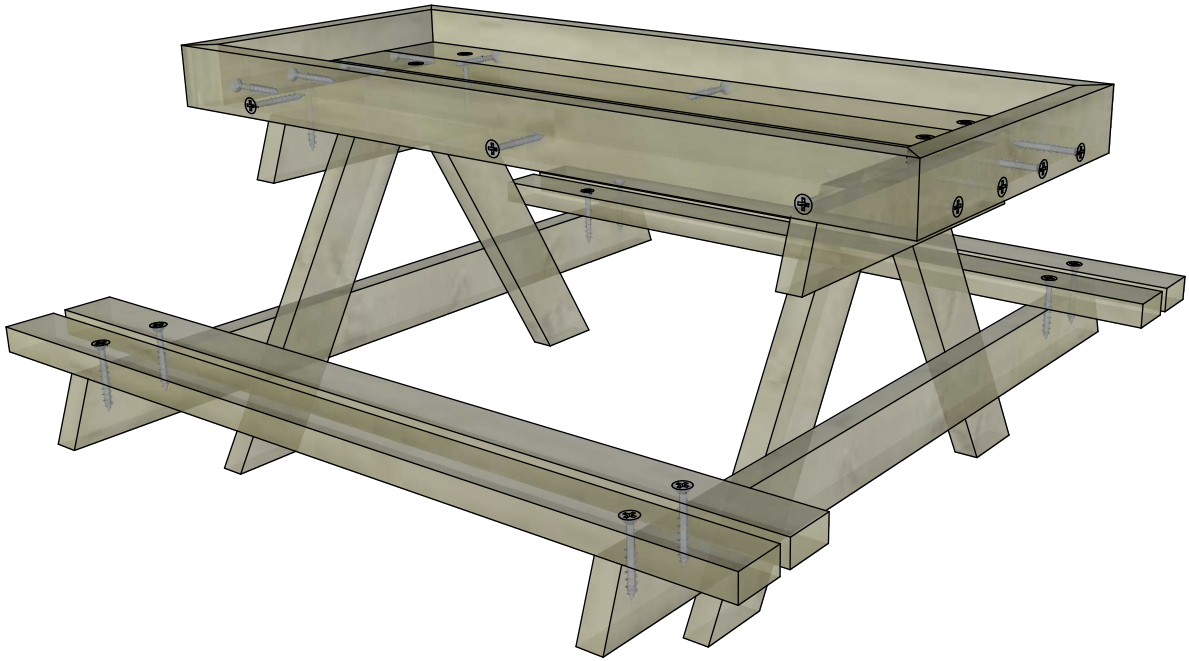
<https://www.youtube.com/c/MatthewPeechWoodworkingAndDIY>

Perspective



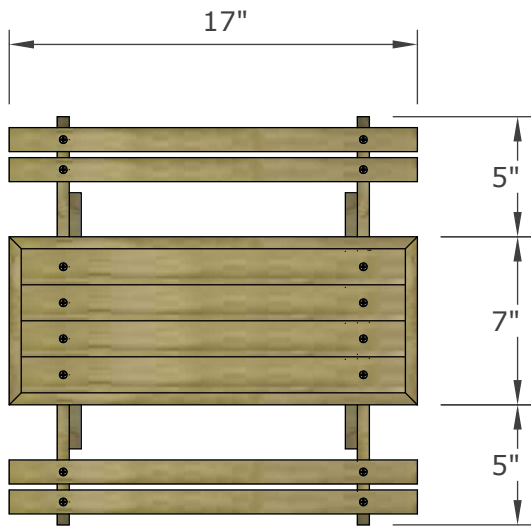
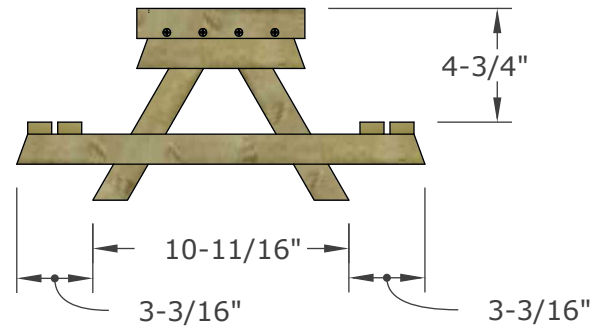
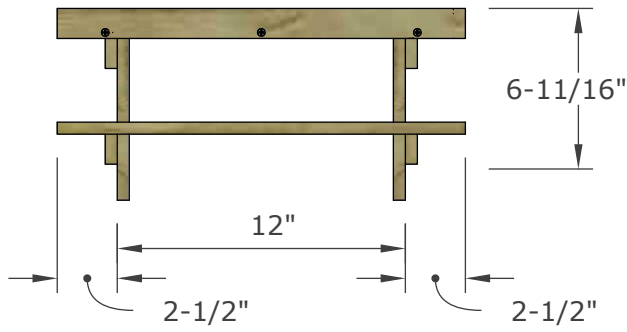
<https://www.youtube.com/c/MatthewPeechWoodworkingAndDIY>

X-Ray



<https://www.youtube.com/c/MatthewPeechWoodworkingAndDIY>

Overall Dimensions

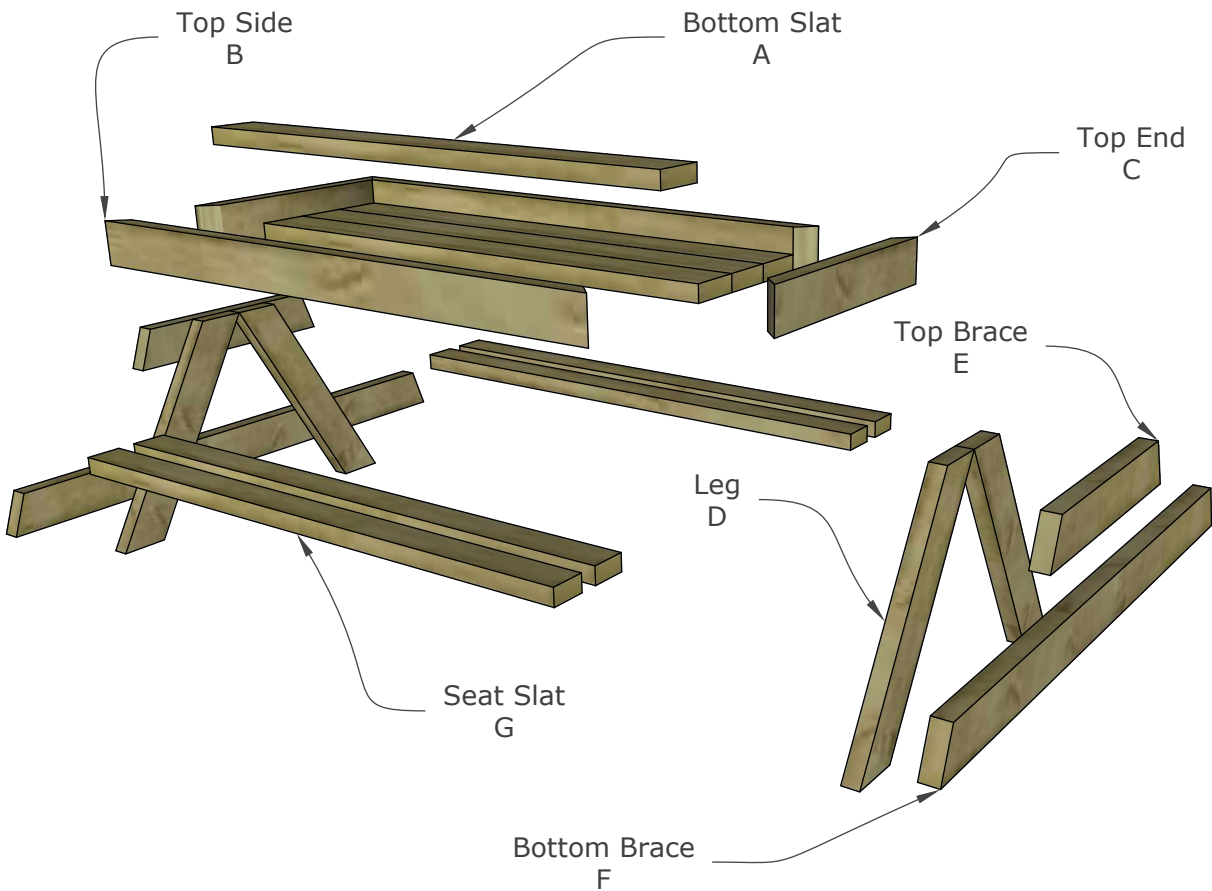


Front-Side & Top Views

1 1/2" = 1'-0" (1:8)

<https://www.youtube.com/c/MatthewPeechWoodworkingAndDIY>

Exploded



<https://www.youtube.com/c/MatthewPeechWoodworkingAndDIY>

Material List

Part	Description	Quantity	Length	Width	Thickness	Material
A	Bottom Slat	4	16"	1 1/2"	1/2"	Picket
B	Top Side	2	17"	1 1/4"	1/2"	Picket
C	Top End	2	7"	1 1/4"	1/2"	Picket
D	Leg	4	8 1/2"	1 1/4"	1/2"	Picket
E	Top Brace	2	7"	1 1/4"	1/2"	Picket
F	Bottom Brace	2	17"	1 1/4"	1/2"	Picket
G	Seat Slat	4	17"	1"	1/2"	Picket

Cutting Diagram

1/2" x 5-1/2" -72" (One Board)



Build from 1 - 5 1/2" x 72" Picket.

Picket is 1/2" thick after sanding.

Cut the picket into strips.



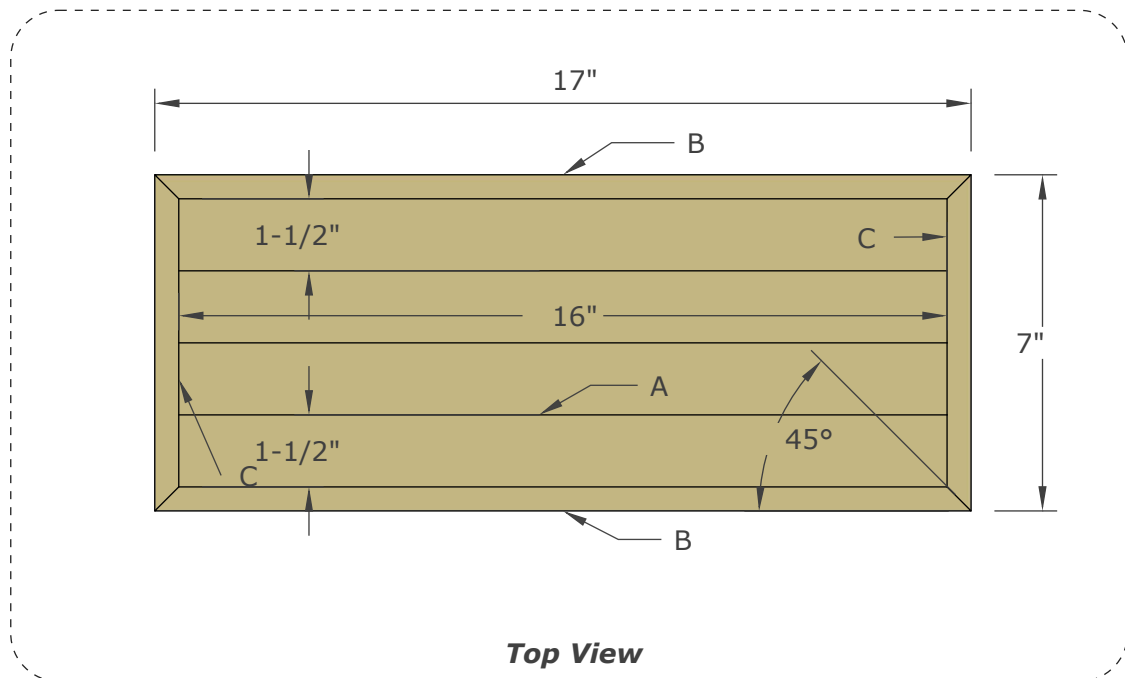
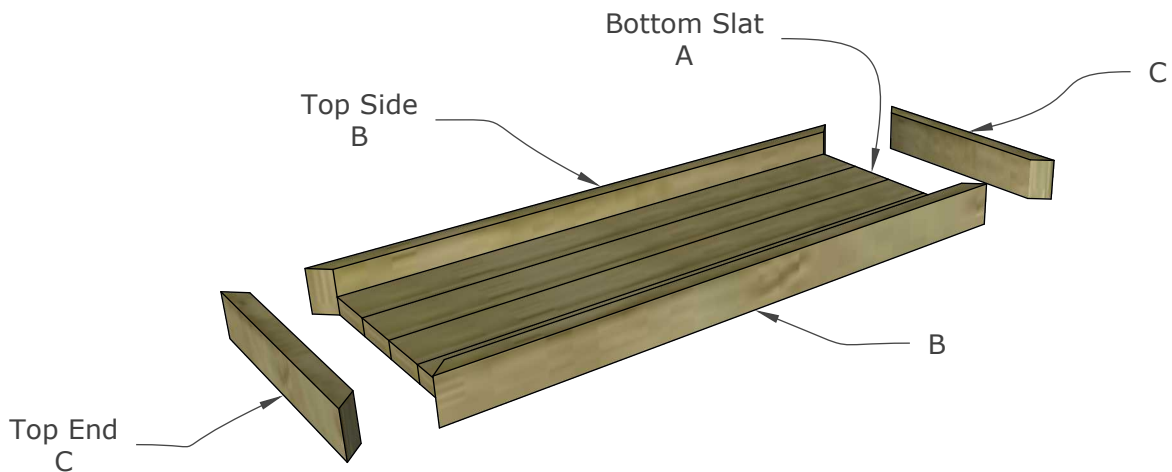
<https://www.youtube.com/c/MatthewPeechWoodworkingAndDIY>

1 Table Top:

Build the table top.

Using exterior wood glue, place bottom slats together.

Sides are glued on bottom and ends, All ends are 45 degrees.



<https://www.youtube.com/c/MatthewPeechWoodworkingAndDIY>

2

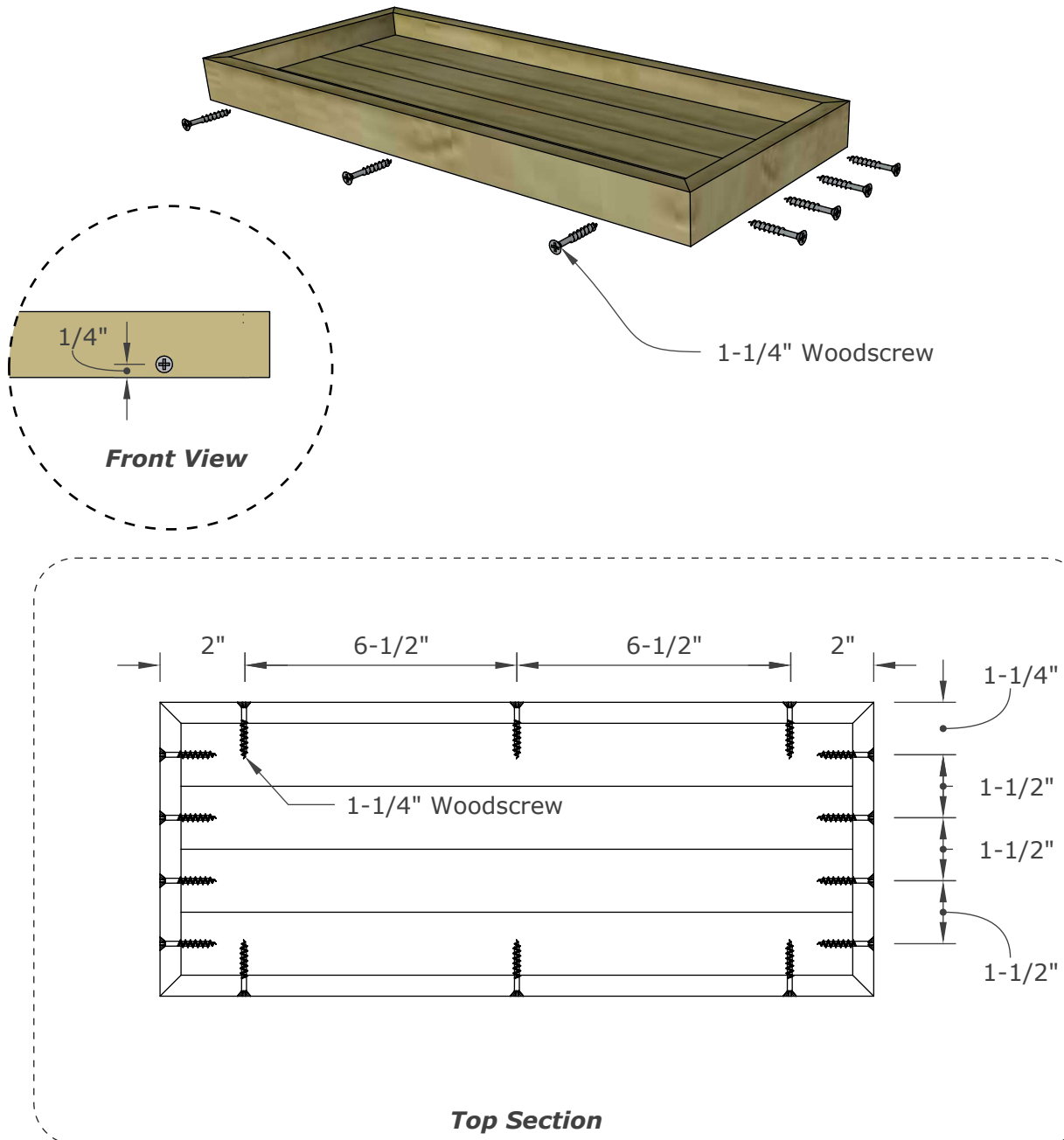
Table Top:

Use 1" brad nails to hold into place.

Pre-drill and screw sides to the bottom using 1 1/4" deck screws.

One screw centered per board an ends and 3 screws per side.

Screws are 1/4" from the bottom.



<https://www.youtube.com/c/MatthewPeechWoodworkingAndDIY>

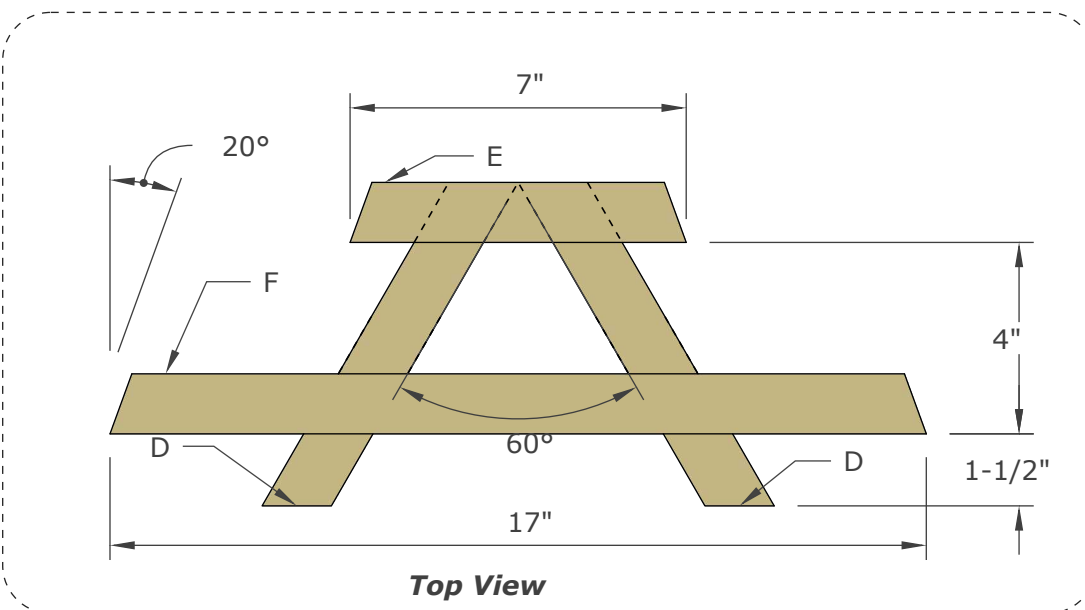
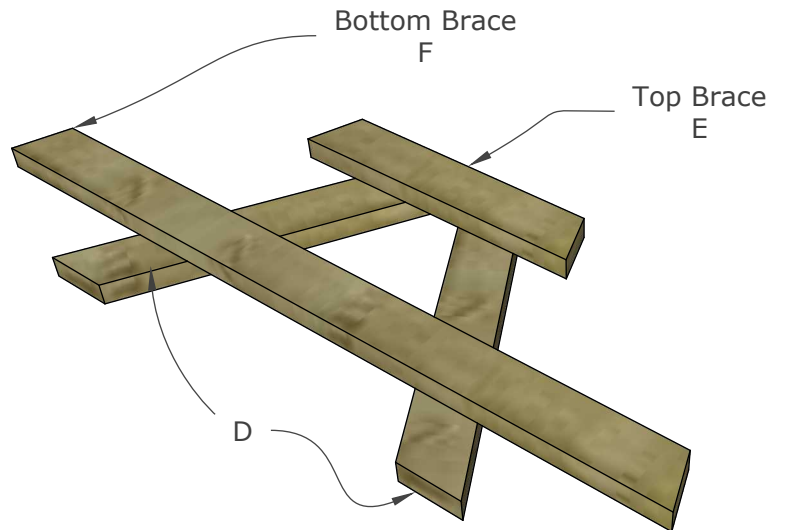
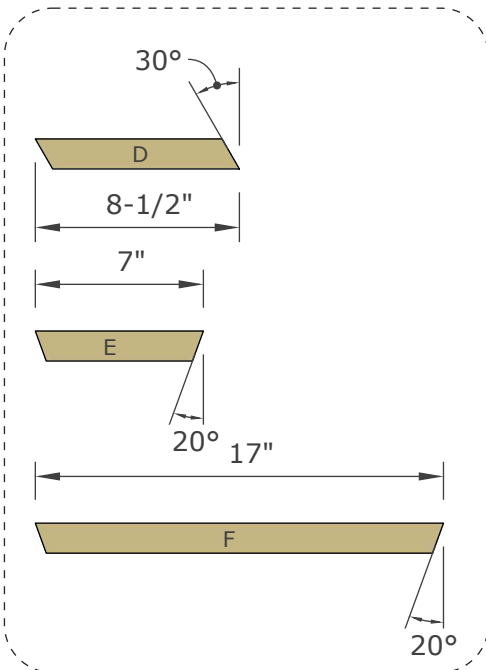
3 Legs:

Build table legs.

Glue using exterior wood glue and brad nails. You can use 1" deck screws if desired.

Legs are cut at 30° off center.

Cross members are cut at 20° off center.



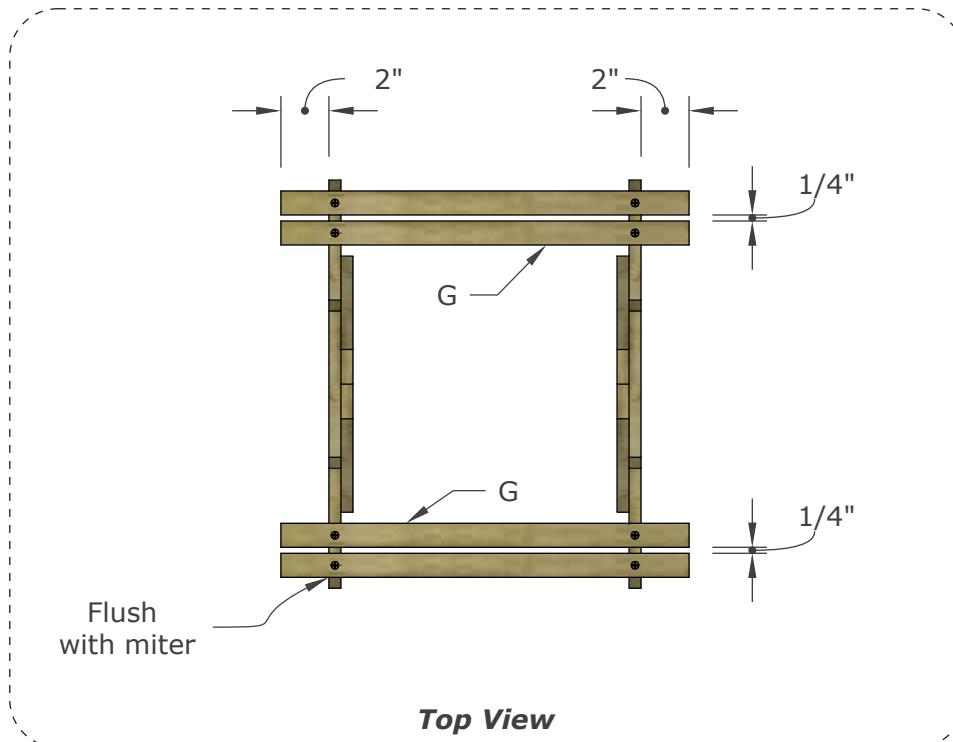
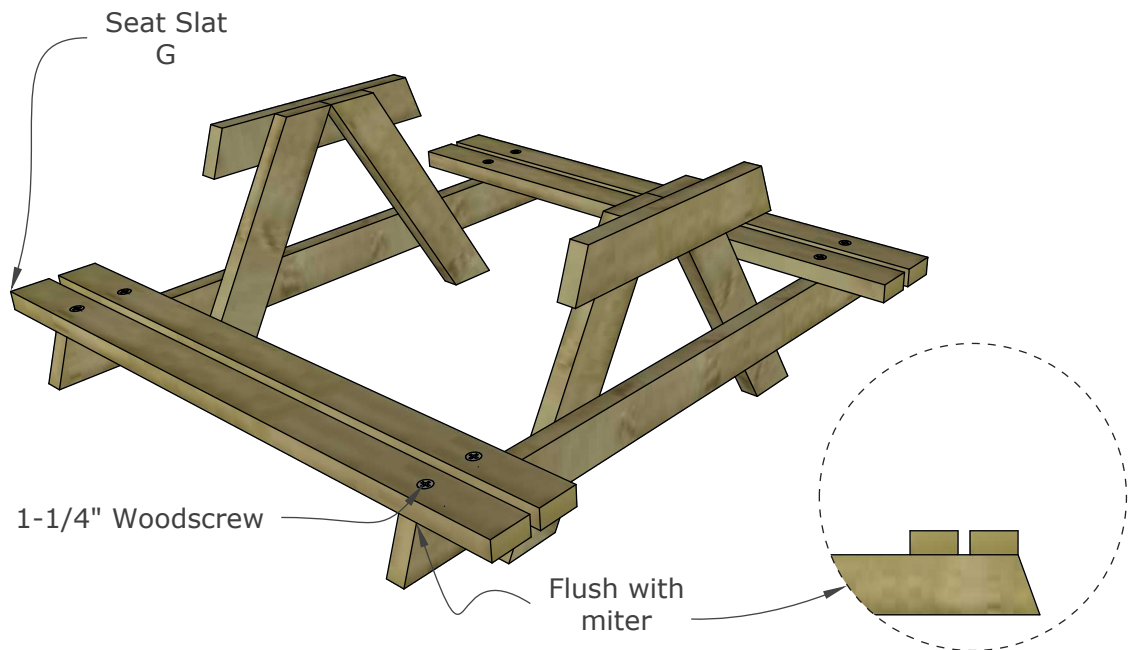
<https://www.youtube.com/c/MatthewPeechWoodworkingAndDIY>

4

Table Seats:

Attach Table Seats.

Measure spacing and attach seats. Pre-drill, glue and screw using 1 1/4" deck screws.



Top View



<https://www.youtube.com/c/MatthewPeechWoodworkingAndDIY>

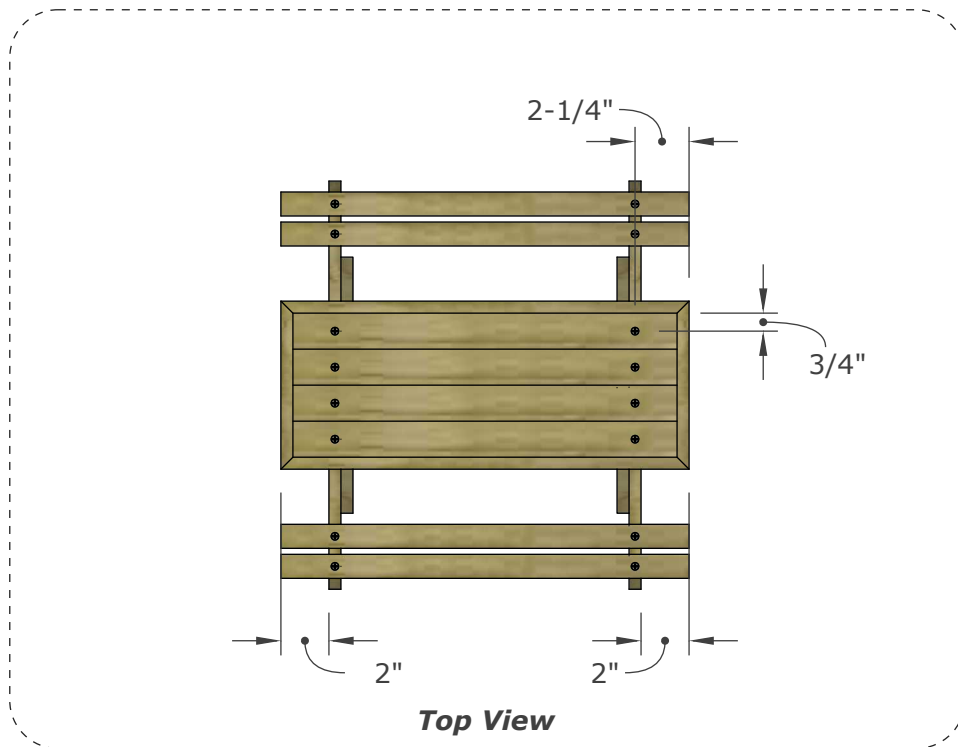
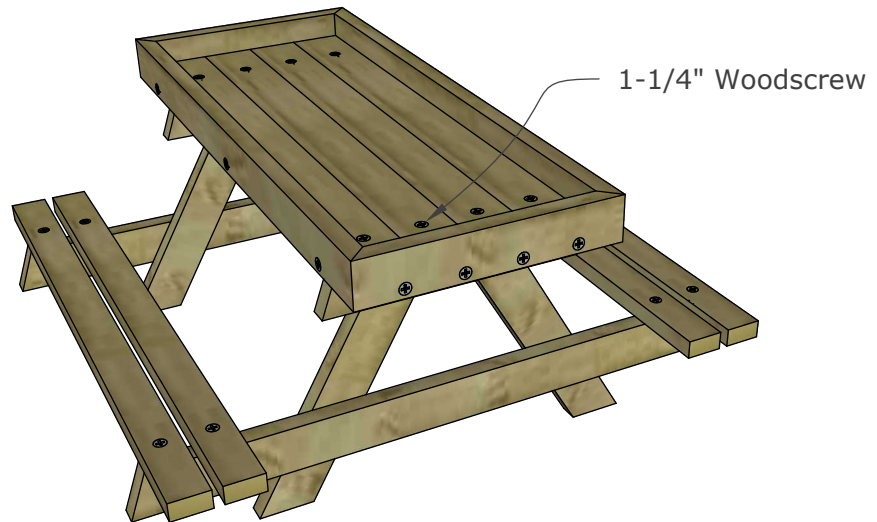
5

Table Top & Frame:

Attach Table Top to frame.

Screws are 2 1/4" from outside edge.

2" overhang on both sides.



<https://www.youtube.com/c/MatthewPeechWoodworkingAndDIY>