

3 Picket Planter



(<https://www.youtube.com/c/MatthewPeechWoodworkingAndDIY>)

Perspective

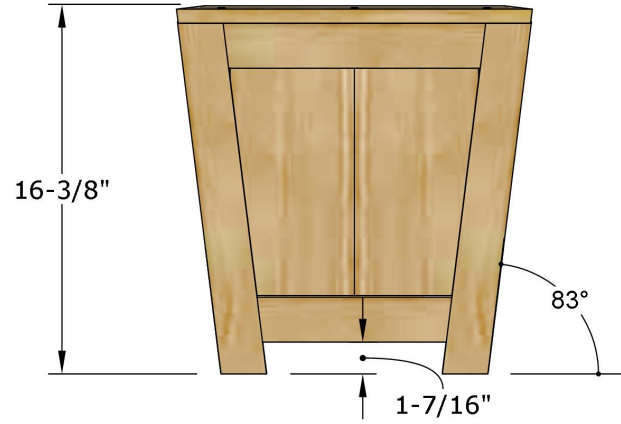


(<https://www.youtube.com/c/MatthewPeechWoodworkingAndDIY>)

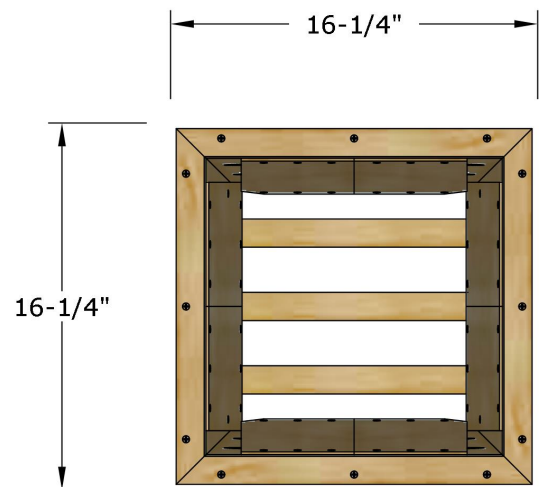
Overall Dimensions



Front



Side



Top



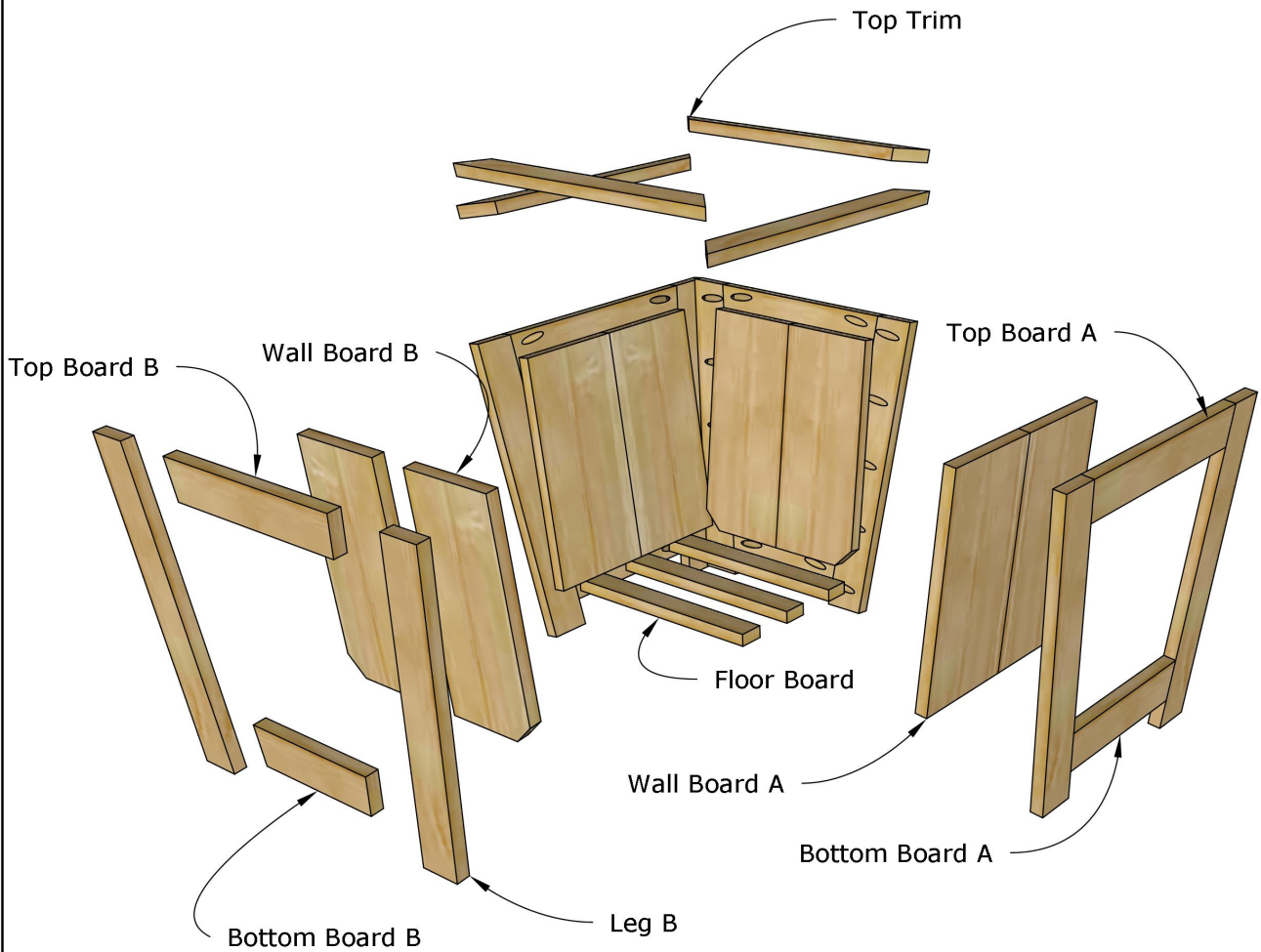
(<https://www.youtube.com/c/MatthewPeechWoodworkingAndDIY>)

X-Ray



(<https://www.youtube.com/c/MatthewPeechWoodworkingAndDIY>)

Exploded

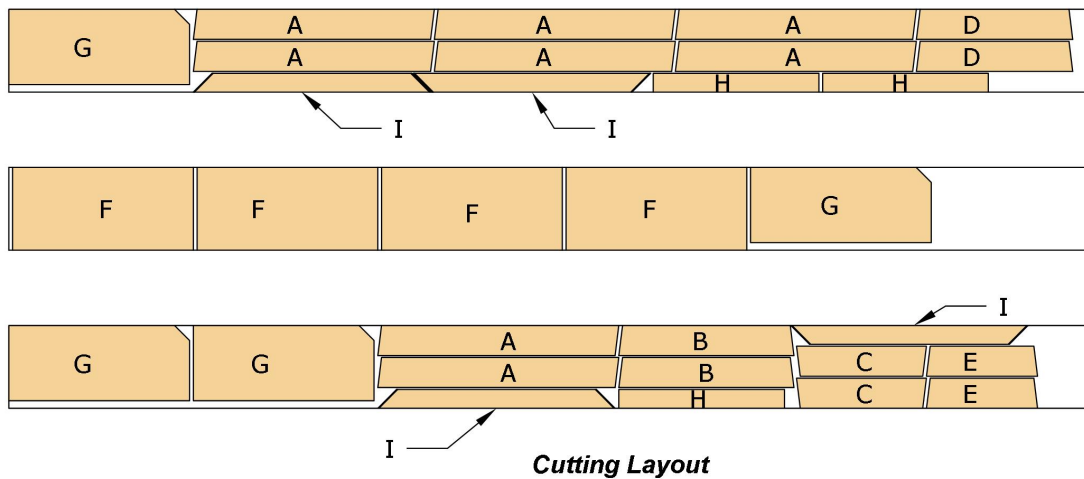


(<https://www.youtube.com/c/MatthewPeechWoodworkingAndDIY>)

Parts Cut (1)

Part	Description	Quantity	Length	Width	Thickness	Material
A	Leg	8	16"	2"	5/8"	Wood
B	Top Board A	2	11 5/8"	2"	5/8"	Wood
C	Bottom Board A	2	8 5/8"	2"	5/8"	Wood
D	Top Board B	2	10 3/8"	2"	5/8"	Wood
E	Bottom Board B	2	7 3/8"	2"	5/8"	Wood
F	Wall Board A	4	12"	5.5"	5/8"	Wood
G	Wall Board B	4	12"	5"	5/8"	Wood
H	Floor Board	3	11"	1.25"	5/8"	Wood
I	Top Trim	4	16.25"	1.25"	5/8"	Wood

5/8" x 5-1/2" -6' (Three Board)



Supplies
(3) 5/8"x5-1/2" x 6' Wood Board
1" Deck Screws
1-1/4" Pocket Hole Screws

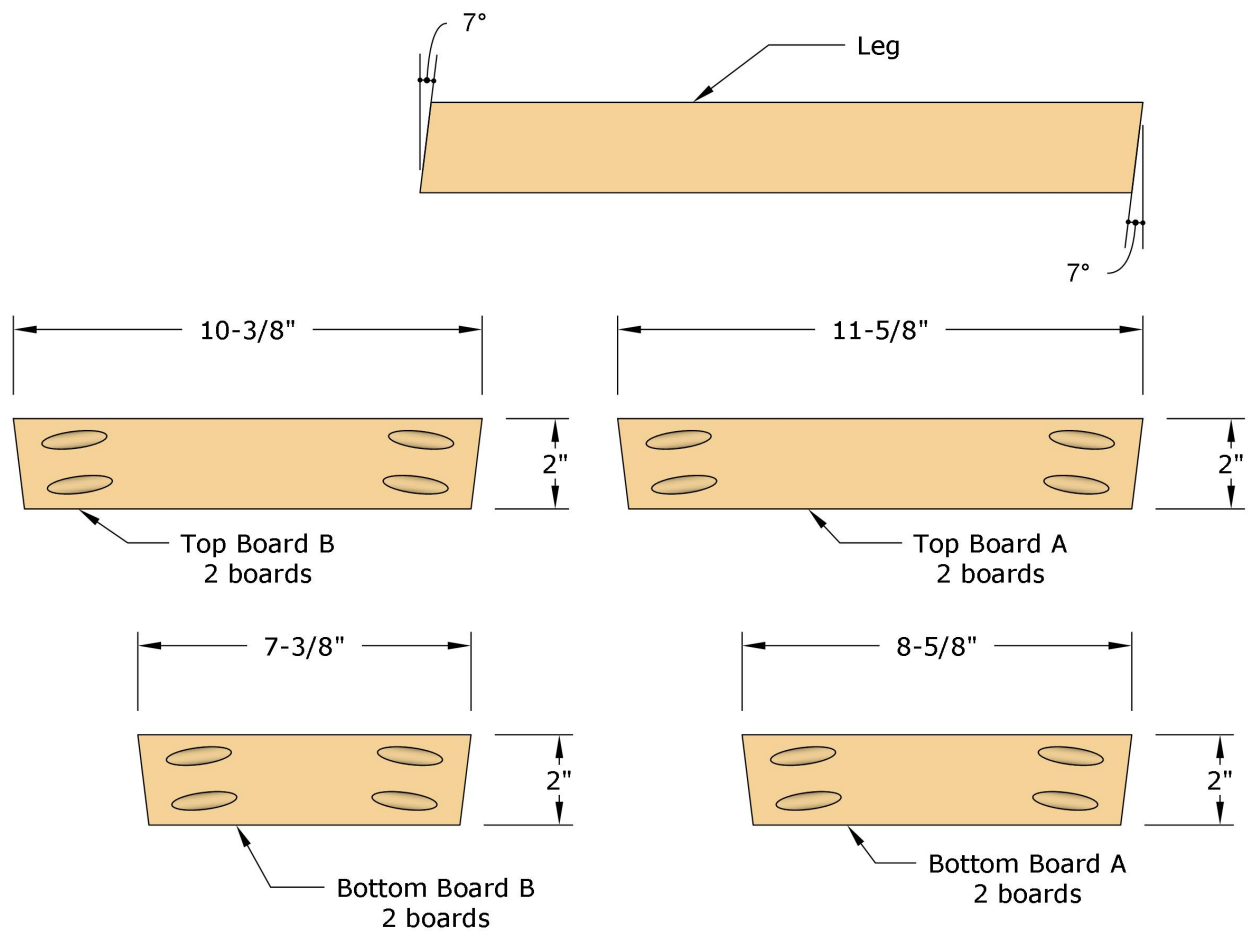
Cut material.

Only 3 fence pickets needed. Can be cedar or treated pine.



(<https://www.youtube.com/c/MatthewPeechWoodworkingAndDIY>)

Frames Parts (2)



Legs are 2"x16" tip to tip 7° miters on both ends, 8 boards required.

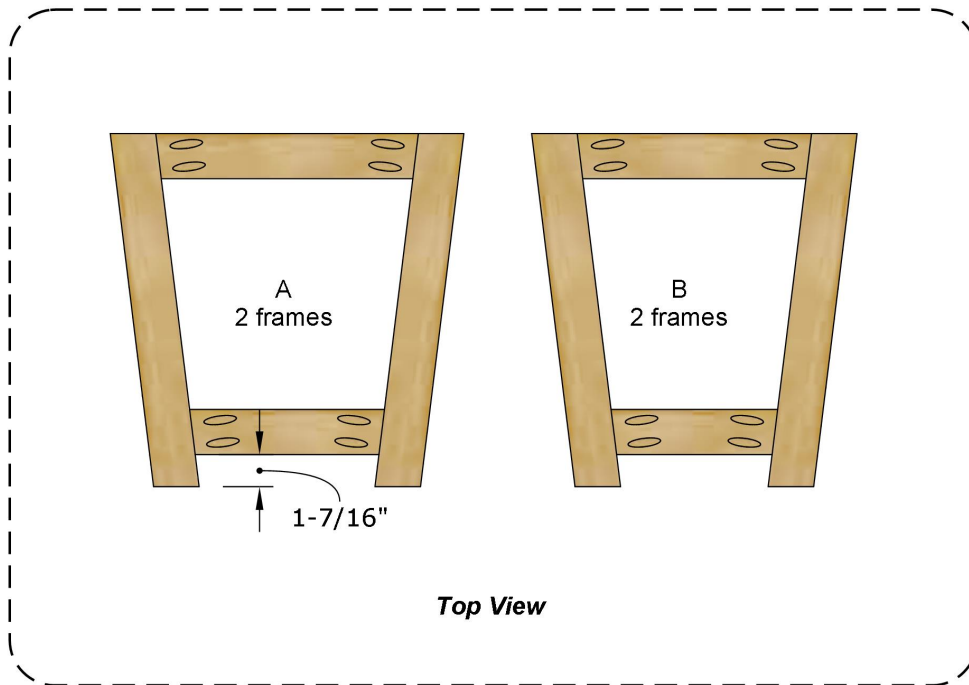
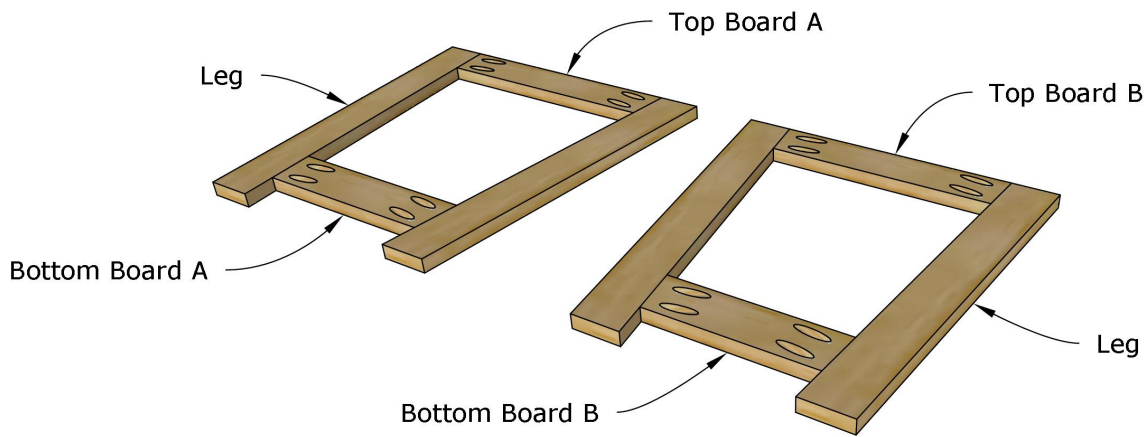
All top and bottom boards are on 7° miter.

Cut pocket holes in all top and bottom boards. ⚠️ Set pocket hole jig to 1/2".



(<https://www.youtube.com/c/MatthewPeechWoodworkingAndDIY>)

Wall Frames A&B (3)

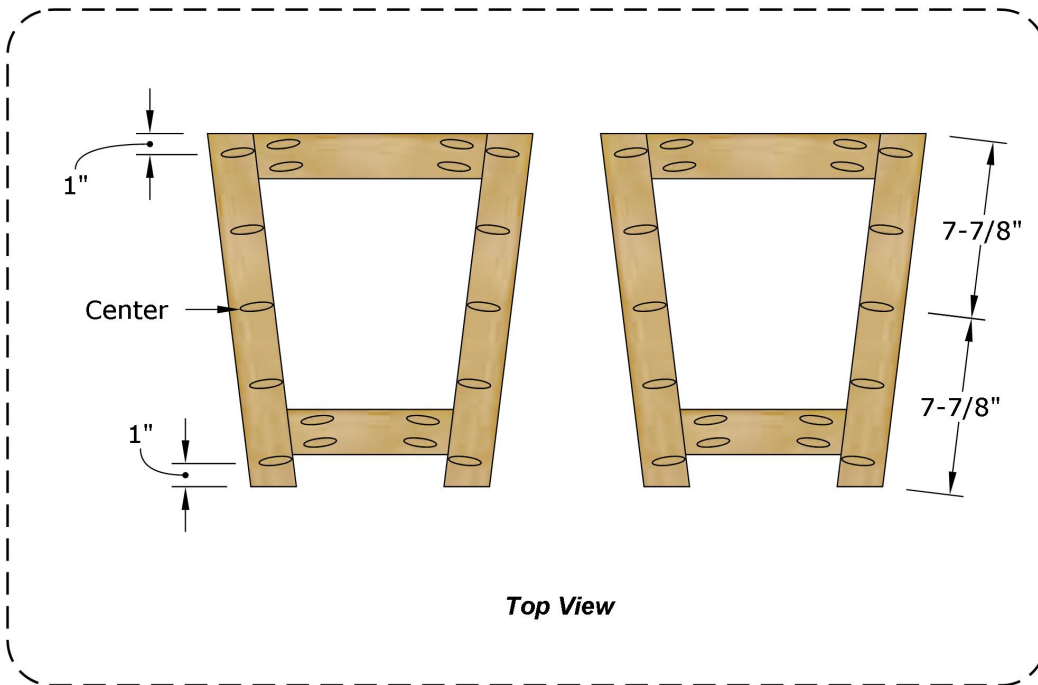
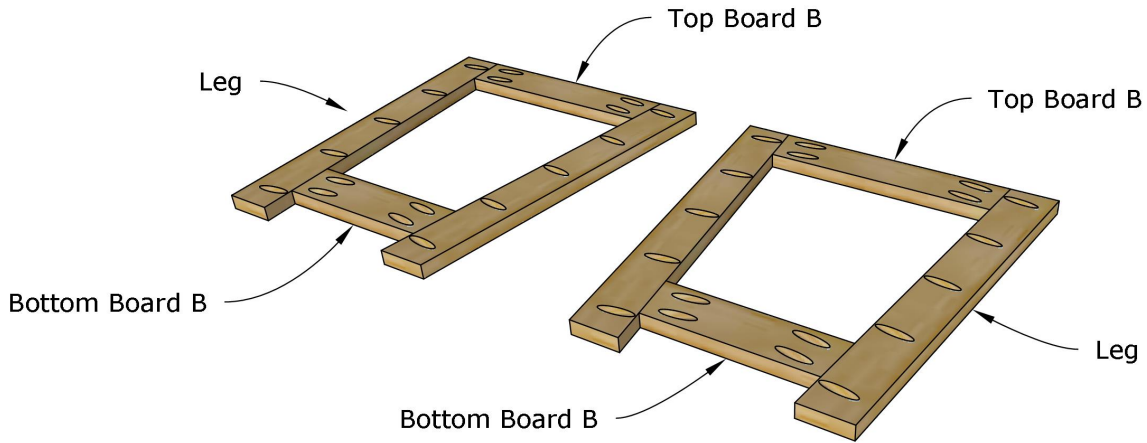


Using 1-1/4" outdoor pocket hole screws assemble wall frames A and B.



(<https://www.youtube.com/c/MatthewPeechWoodworkingAndDIY>)

Wall Frames B (4)



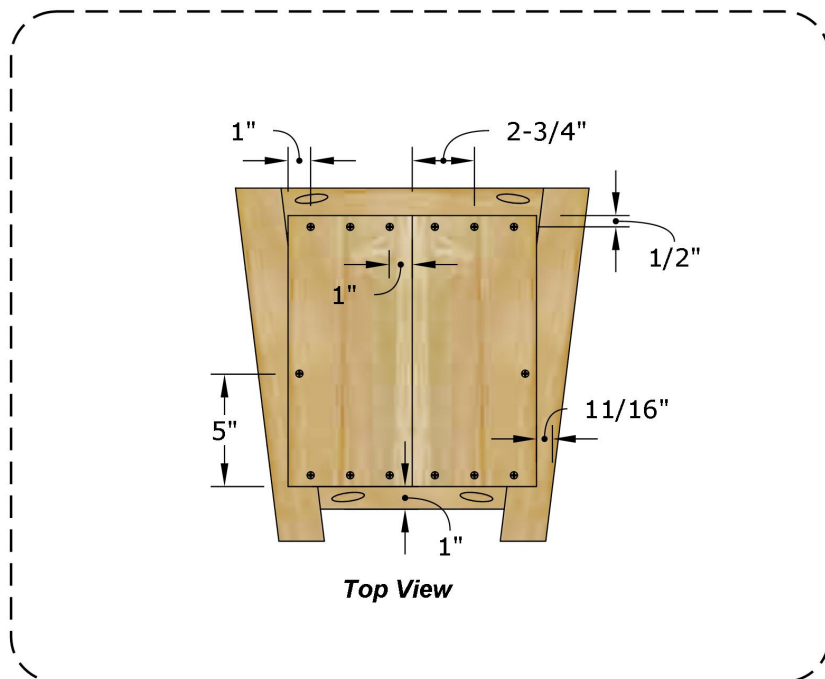
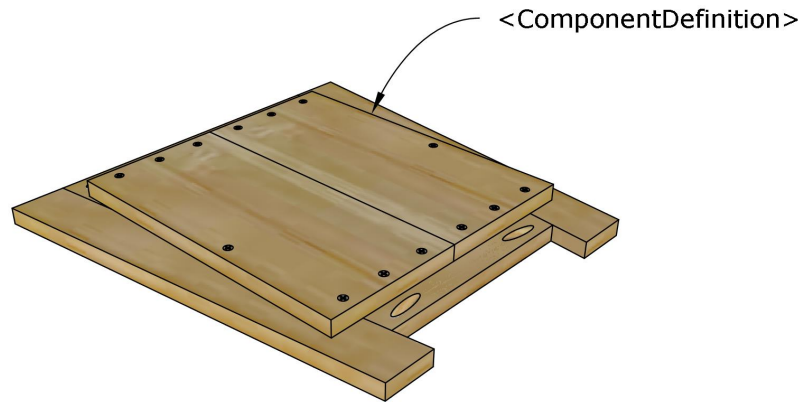
Cut pocket holes into legs of frames B.

Use the pocket holes placements showed 5 on each leg.



(<https://www.youtube.com/c/MatthewPeechWoodworkingAndDIY>)

Wall Boards (5)



Attach 5-1/2" wall boards (A) to both side frames A.

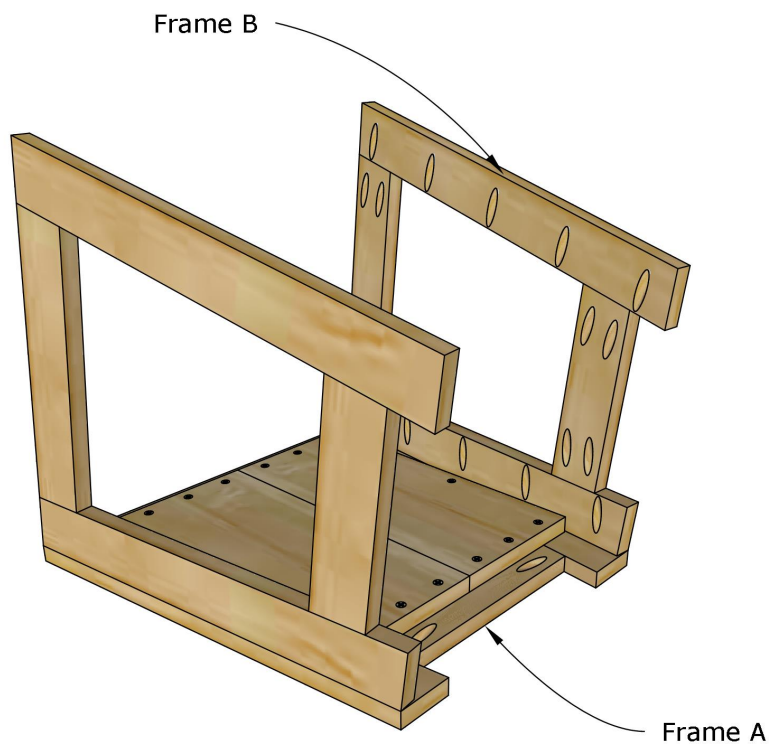
Pre-Drill and use 1-1/4" outdoor pocket hole screws.

Tip: Careful not to countersink or screw tip will protrude from front.



(<https://www.youtube.com/c/MatthewPeechWoodworkingAndDIY>)

Attach Frames (6)



Attach side frames B to side frame A.

All screws are 1-1/4" pocket hole screws.



(<https://www.youtube.com/c/MatthewPeechWoodworkingAndDIY>)

Attach Frames (7)

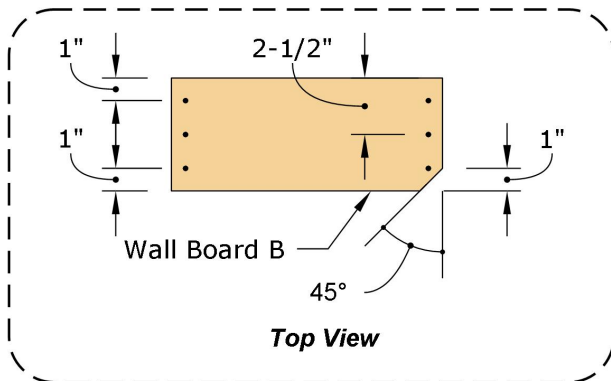
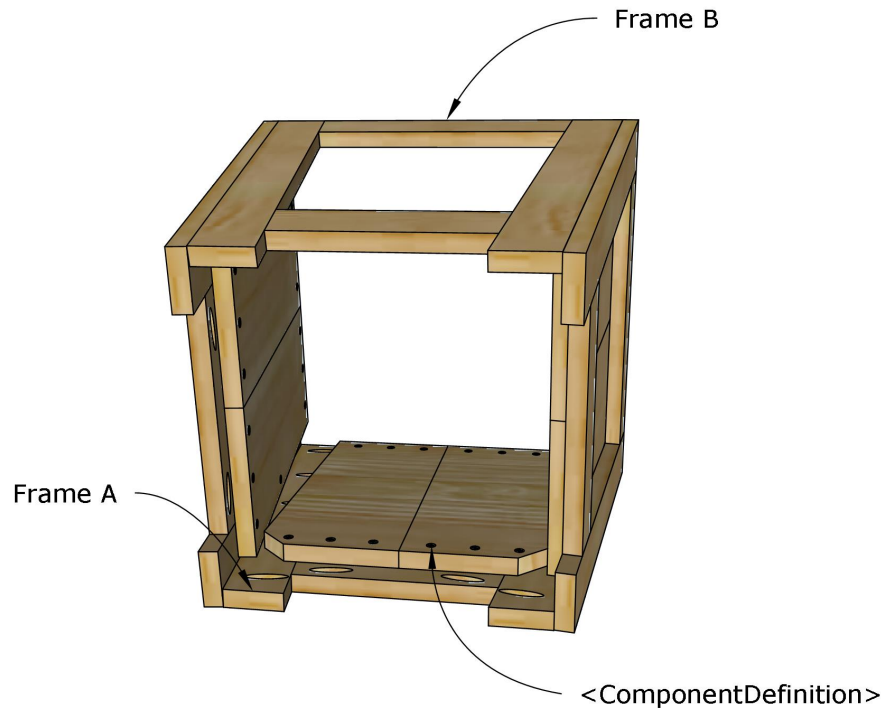


With remaining sidewall (A) flat attach assembled parts.



(<https://www.youtube.com/c/MatthewPeechWoodworkingAndDIY>)

Wall Board B (8)



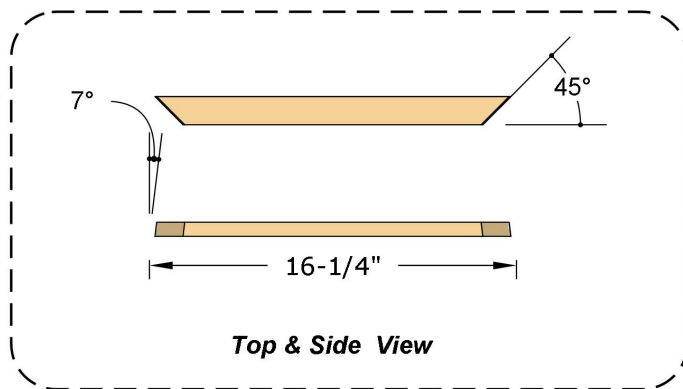
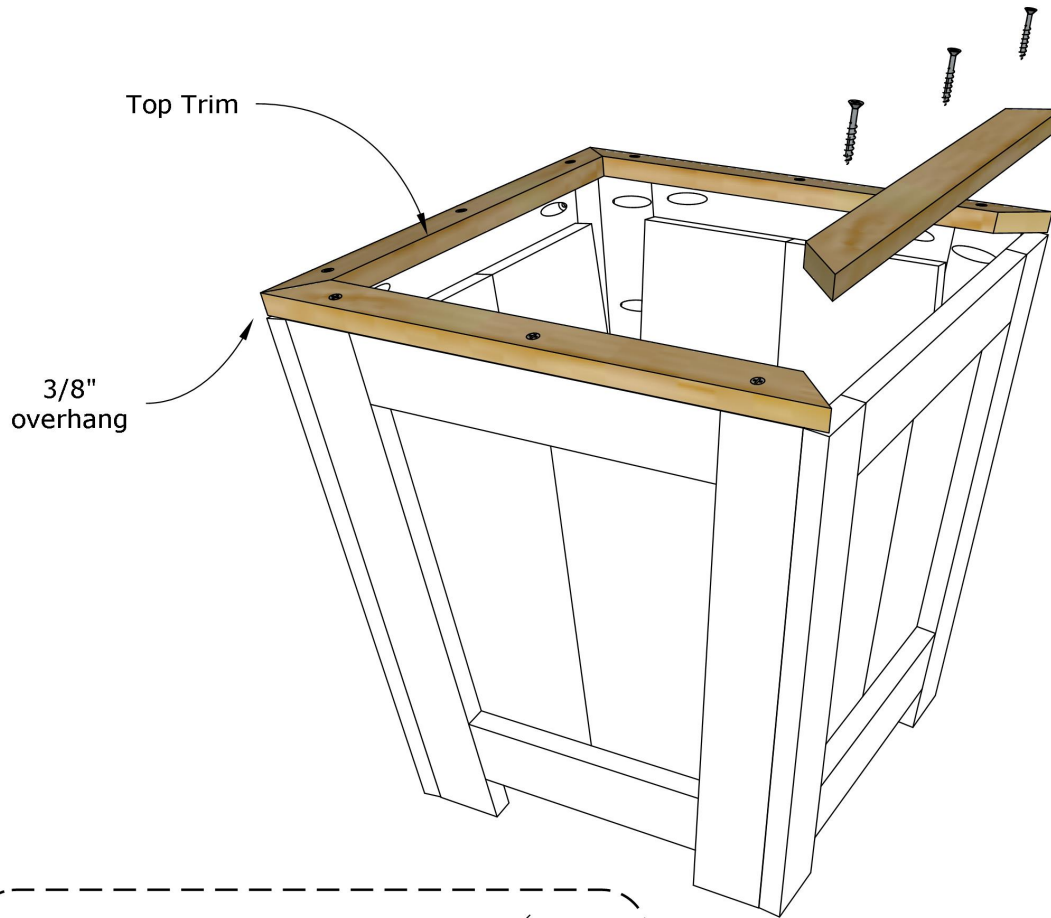
Cut 1" off the outer edges of one side of the 4 wall boards B at 45° then install on both frames B.

Use 6 screws on top and bottom 1" from each side then centered.



(<https://www.youtube.com/c/MatthewPeechWoodworkingAndDIY>)

Top Trim(9)



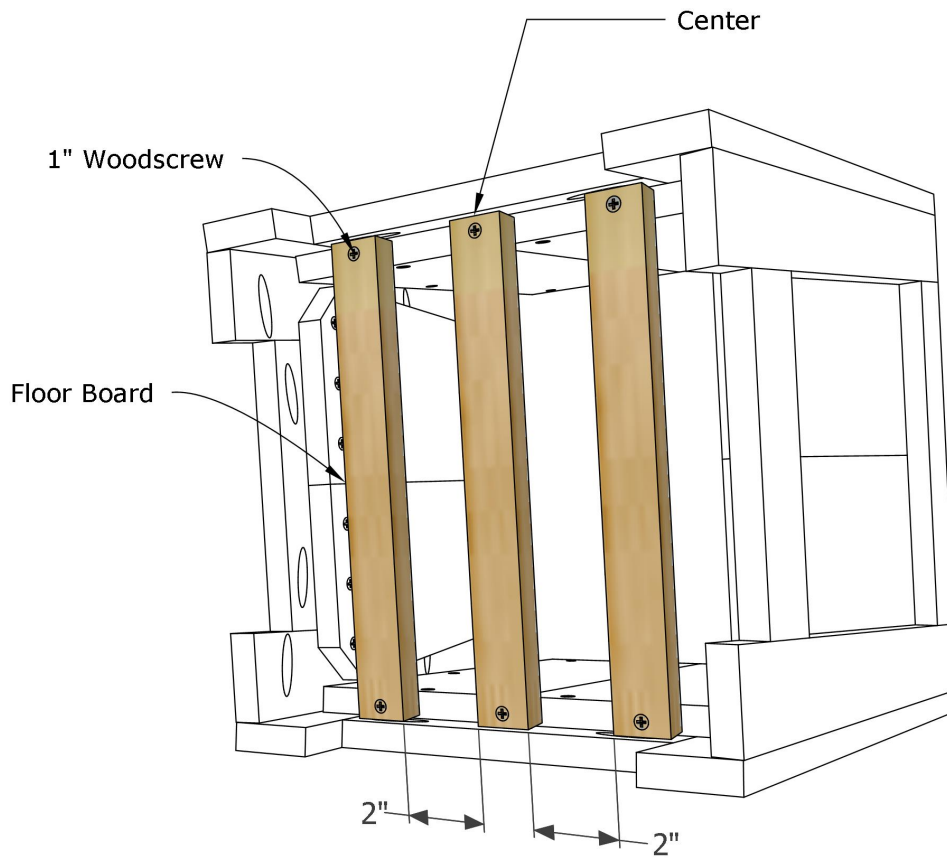
Trim is cut at 45° miter and 7° bevel.

You can use pocket hole screws or 1-1/4" exterior screws.



(<https://www.youtube.com/c/MatthewPeechWoodworkingAndDIY>)

Floor Boards (10)



Install floor boards to bottom of wall boards A.



(<https://www.youtube.com/c/MatthewPeechWoodworkingAndDIY>)