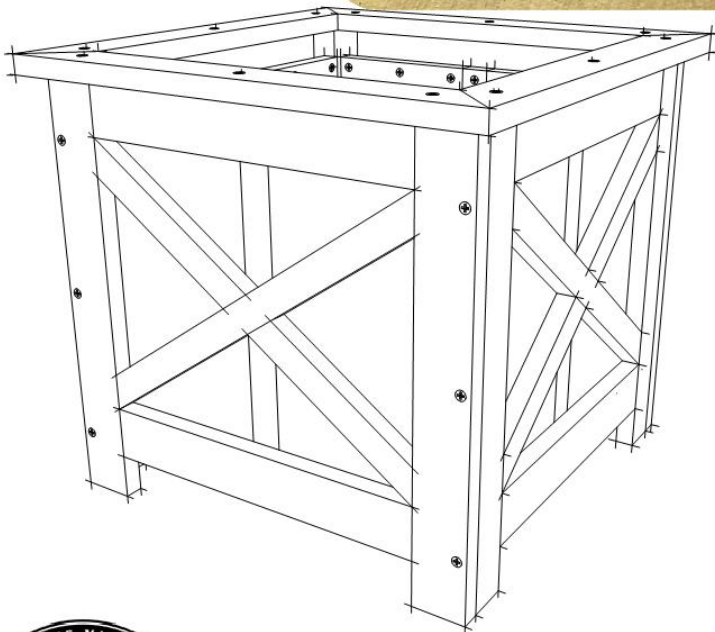


Farmhouse 3 Picket Planter



(<https://www.youtube.com/c/MatthewPeechWoodworkingAndDIY>)

Perspective

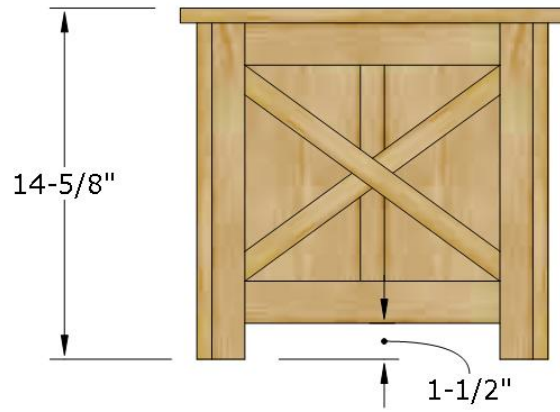


(<https://www.youtube.com/c/MatthewPeechWoodworkingAndDIY>)

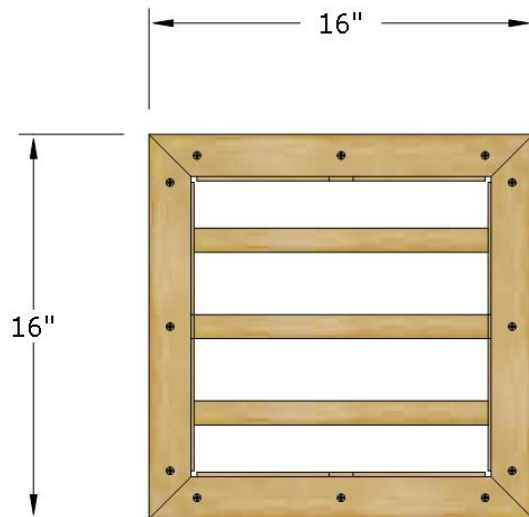
Overall Dimensions



Front



Side



Top



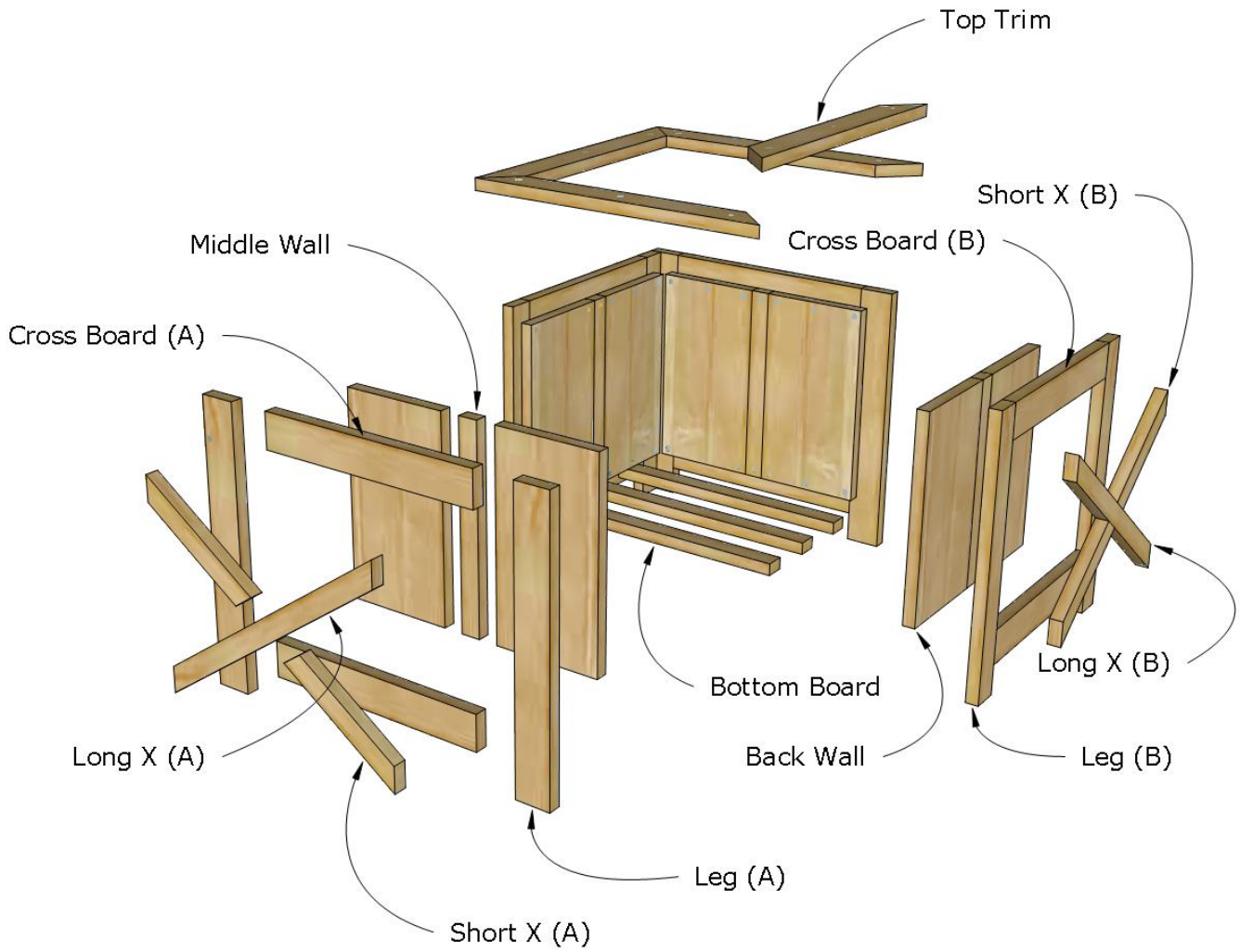
(<https://www.youtube.com/c/MatthewPeechWoodworkingAndDIY>)

X-Ray



(<https://www.youtube.com/c/MatthewPeechWoodworkingAndDIY>)

Exploded

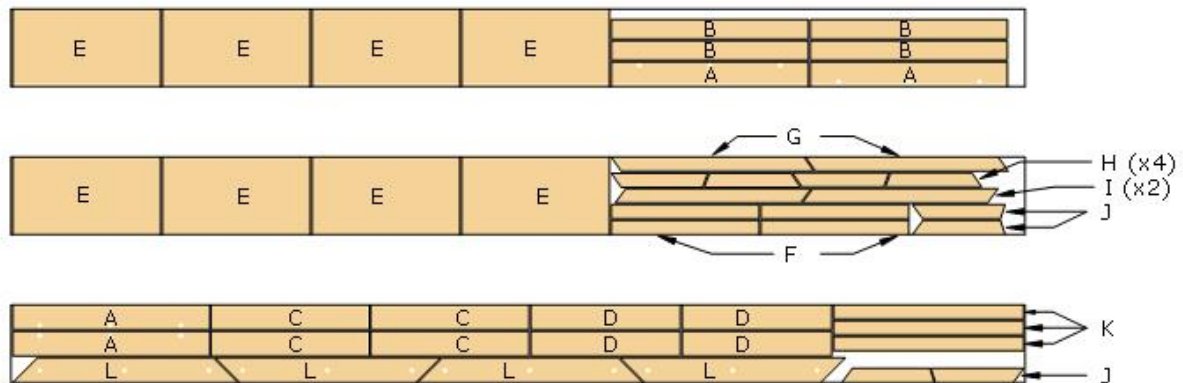


(<https://www.youtube.com/c/MatthewPeechWoodworkingAndDIY>)

Parts Cut (1)

Part	Description	Quantity	Length	Width	Thickness	Material
A	Leg (A)	4	14"	1 3/4"	5/8"	Wood
B	Leg (B)	4	14"	1 3/8"	5/8"	Wood
C	Cross Board (A)	4	11 1/4"	1 3/4"	5/8"	Wood
D	Cross Board (B)	4	10 5/8"	1 3/4"	5/8"	Wood
E	Back Wall	8	10 1/2"	5 1/2"	5/8"	Wood
F	Middle Wall	4	10 1/2"	1"	5/8"	Wood
G	Long X (A)	2	14 3/8"	1"	5/8"	Wood
H	Short X (A)	4	6 13/16"	1"	5/8"	Wood
I	Long X (B)	2	13 7/8"	1"	5/8"	Wood
J	Short X (B)	4	6 9/16"	1"	5/8"	Wood
K	Bottom Board	3	13 1/2"	1"	5/8"	Wood
L	Top Trim	4	16"	1 3/4"	5/8"	Wood

5/8" x 5-1/2" -6' (Three Board)



Cutting Layout

Supplies
(3) 5/8" x 5-1/2" x 6' Wood Board
1" Deck Screws

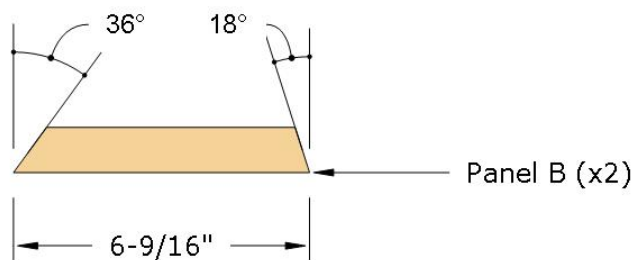
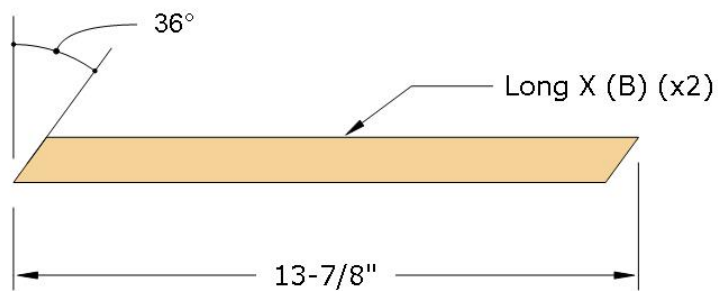
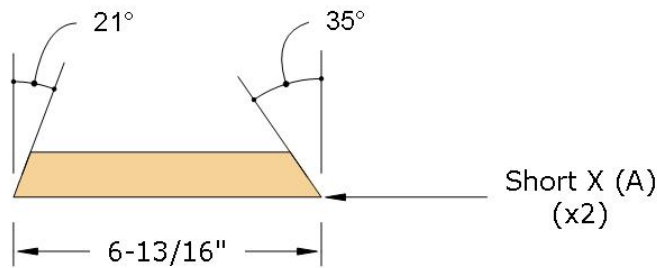
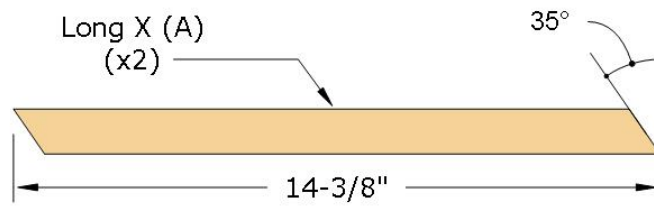
Cut material.

Only 3 fence pickets needed. Can be cedar or treated pine.



(<https://www.youtube.com/c/MatthewPeechWoodworkingAndDIY>)

X Parts (2)

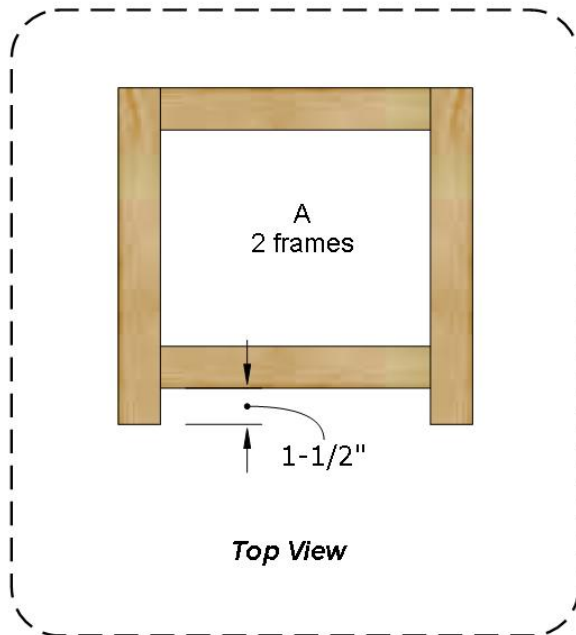
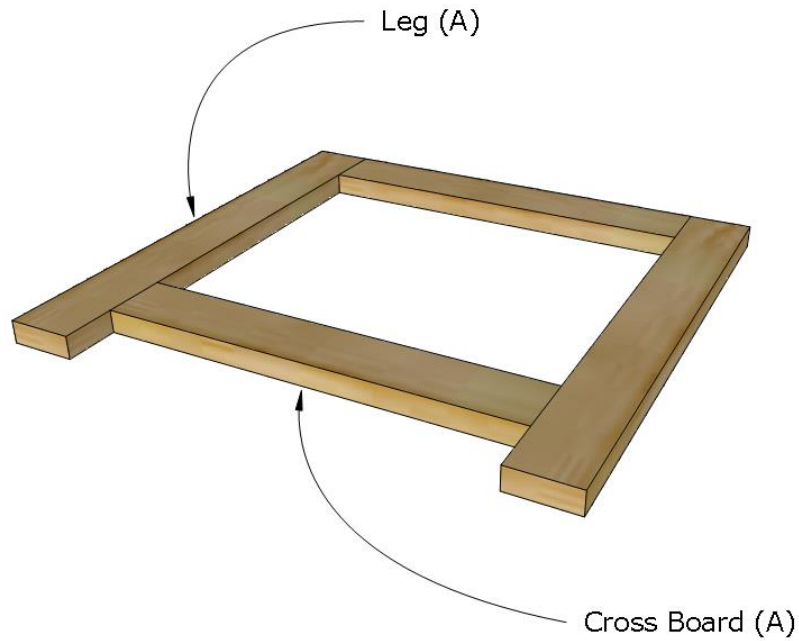


All X cuts 1" width - 5/8 thick.



(<https://www.youtube.com/c/MatthewPeechWoodworkingAndDIY>)

Panels A (3)

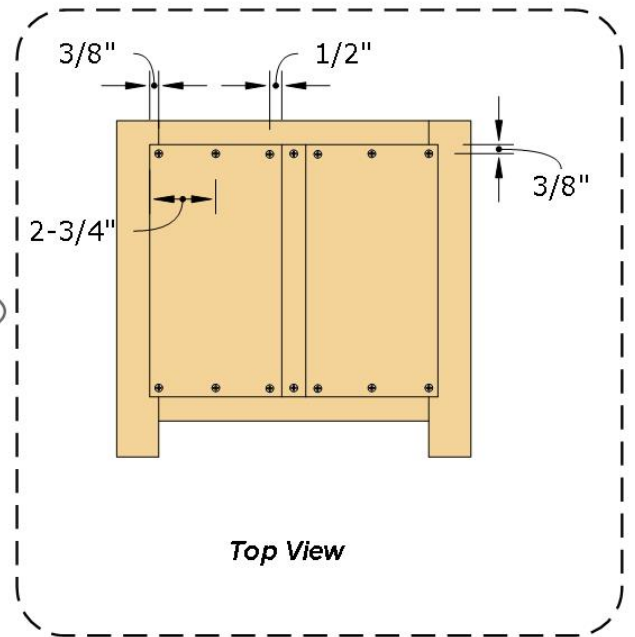
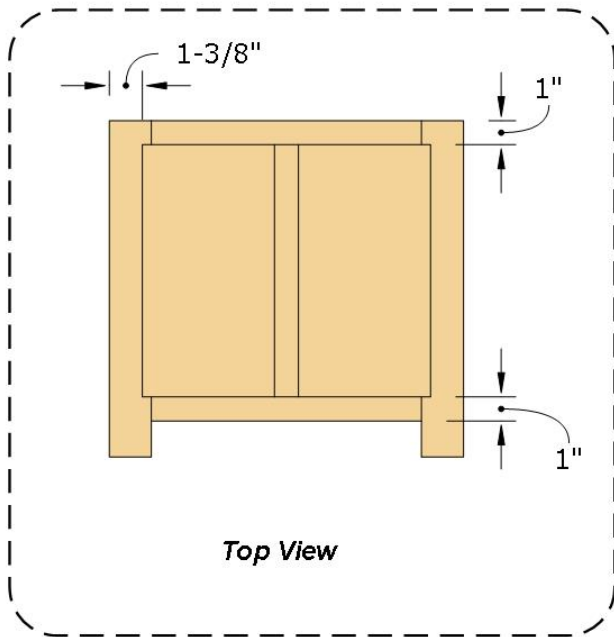
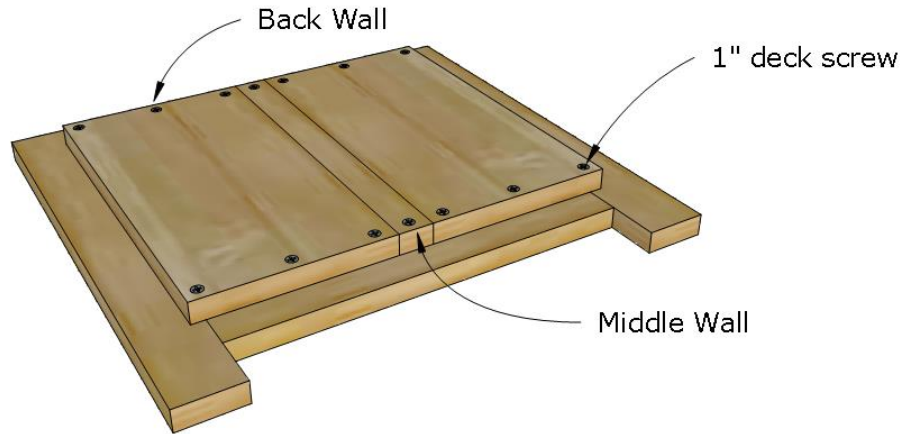


Assemble panels (A). Layout legs and cross boards on a flat surface.



(<https://www.youtube.com/c/MatthewPeechWoodworkingAndDIY>)

Wall Boards A (4)



Apply walls to panel A.

Tip: Use 1" brad nails to connect parts before inserting screws.

Back walls will be the same size for all 4 panels

Pre-drill and insert 1" deck screws.

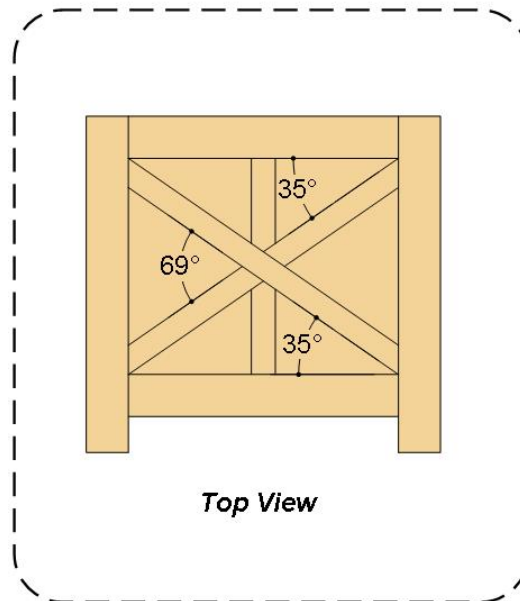
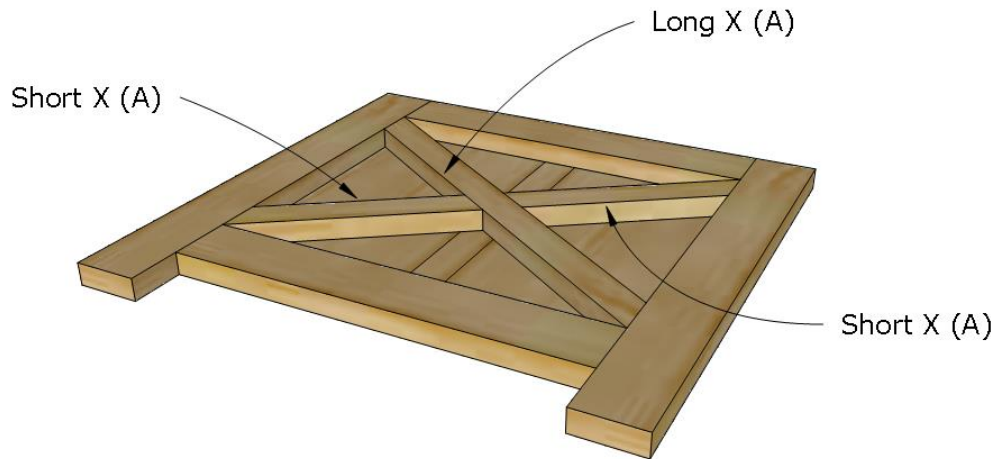
(Links will be in the description of the video)

Repeat and assemble second panel A.



(<https://www.youtube.com/c/MatthewPeechWoodworkingAndDIY>)

X Boards A (5)

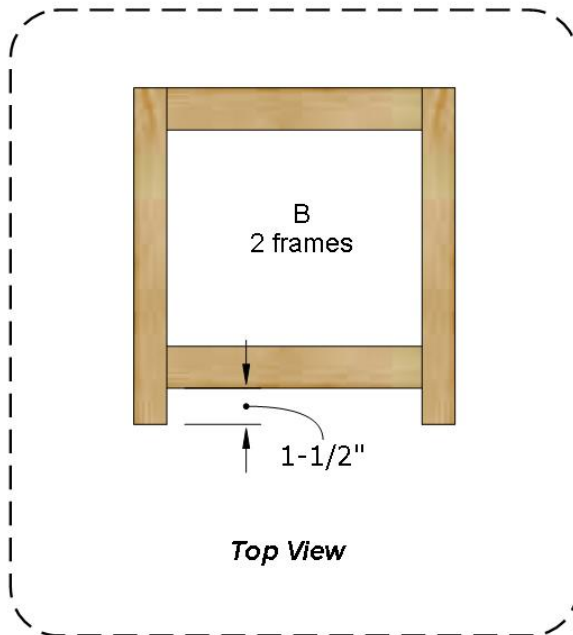
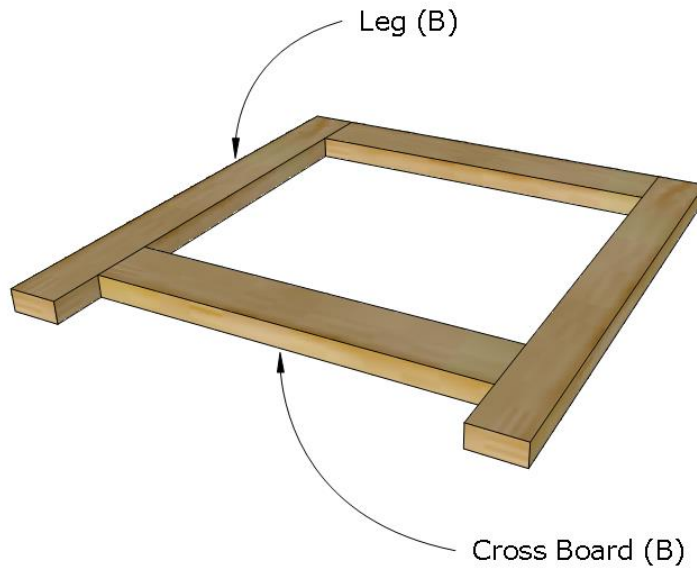


Cut and attach X boards to panels A. Glue and face nail using 1" Brad nails.



(<https://www.youtube.com/c/MatthewPeechWoodworkingAndDIY>)

Panels B (6)

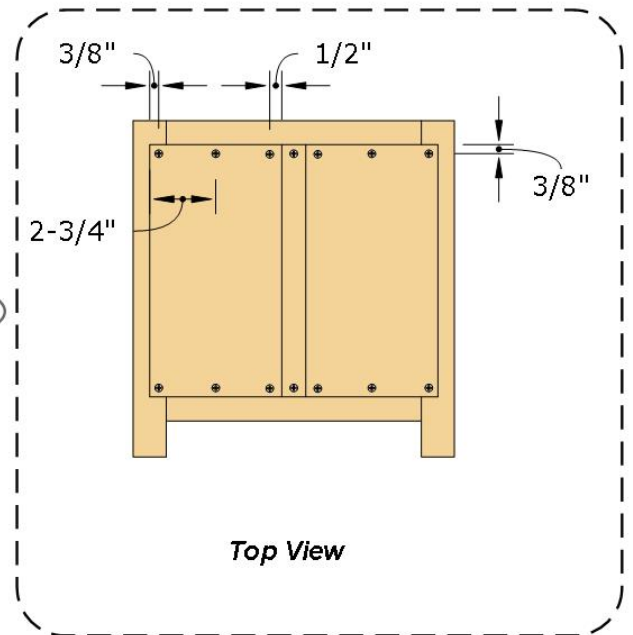
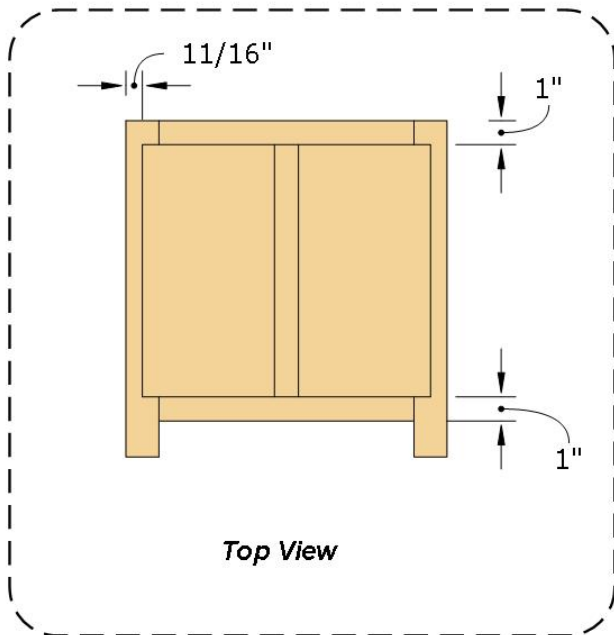
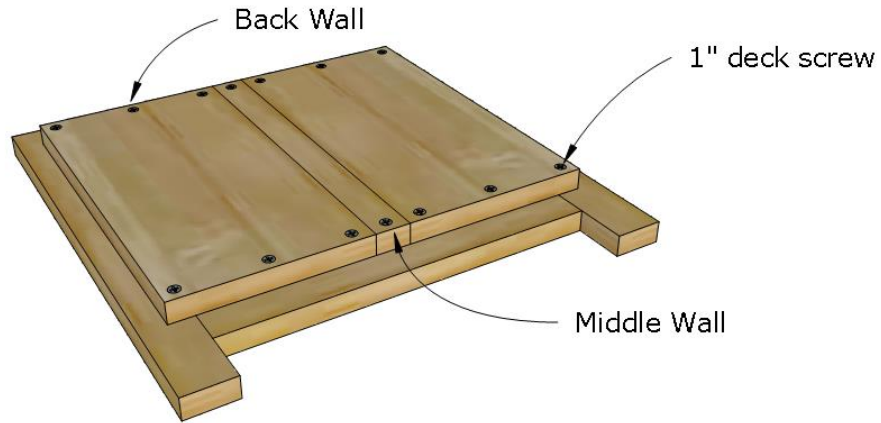


Repeat steps for panel A to assemble panels B.
Assemble panels (B). Layout legs and cross boards on a flat surface.



<https://www.youtube.com/c/MatthewPeechWoodworkingAndDIY>

Wall Boards B (7)



Apply walls to panel B.

Tip: Use 1" brad nails to connect parts before inserting screws.

Back walls will be the same size for all 4 panels

Pre-drill and insert 1" deck screws.

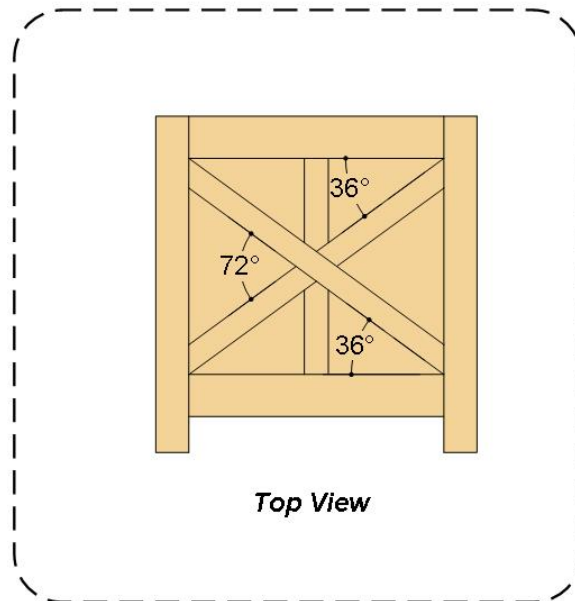
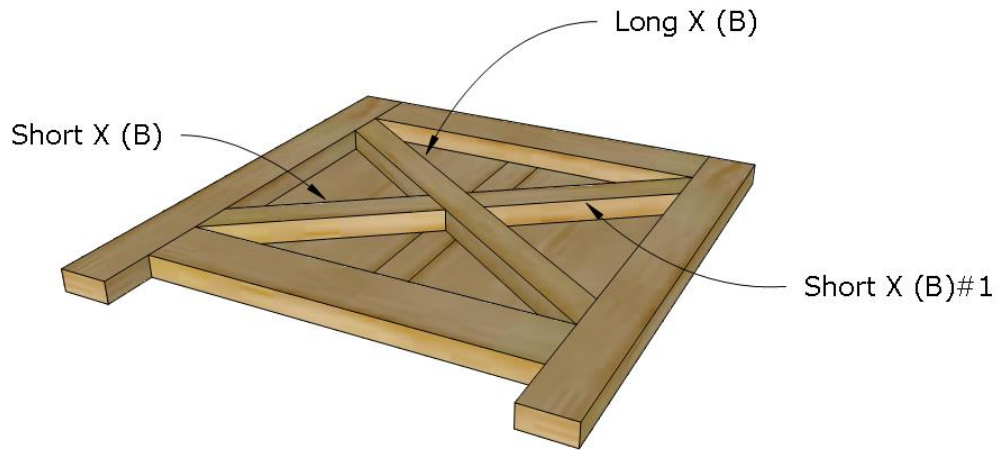
(Links will be in the description of the video)

Repeat and assemble second panel B.



(<https://www.youtube.com/c/MatthewPeechWoodworkingAndDIY>)

X Boards B (8)

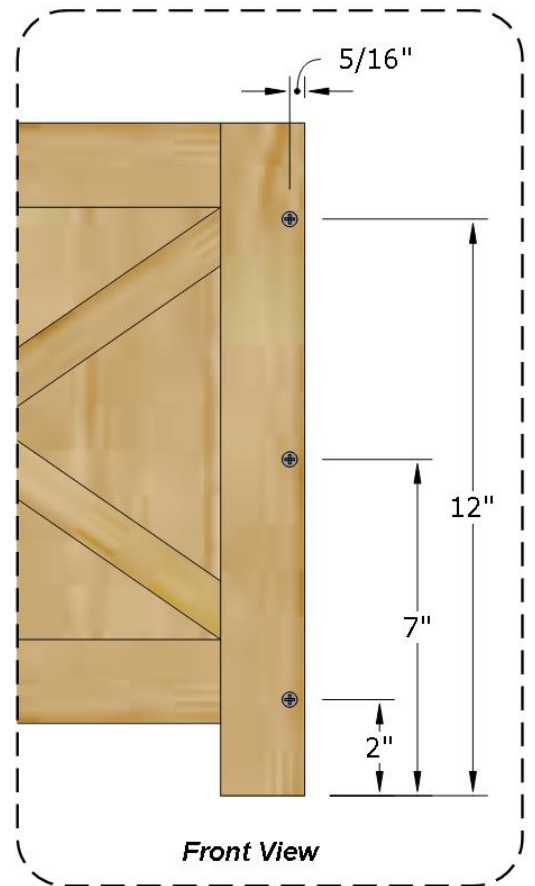
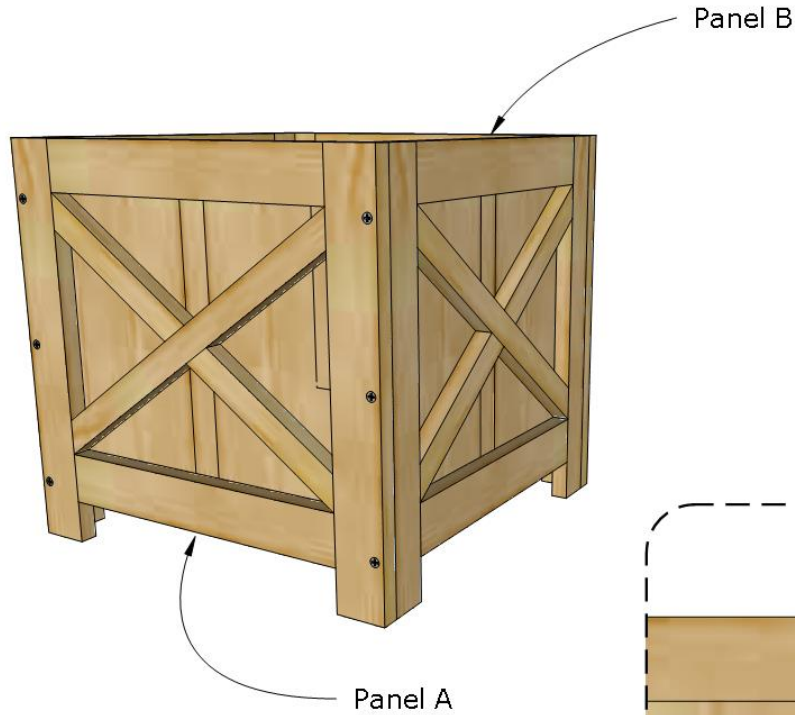


Cut and attach X boards to panels B. Glue and face nail using 1" Brad nails.



(<https://www.youtube.com/c/MatthewPeechWoodworkingAndDIY>)

Case Assembly (9)



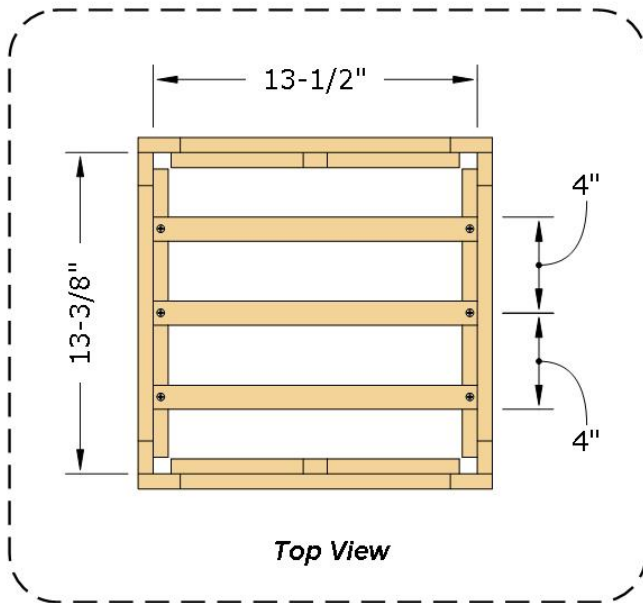
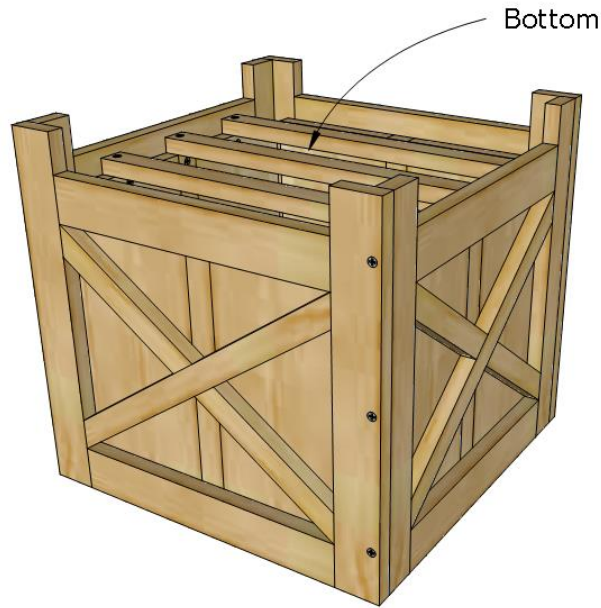
With all panels complete, lap panels A over B until flush.

Pre-drill panels A and insert screws. Repeat for both panels A.



(<https://www.youtube.com/c/MatthewPeechWoodworkingAndDIY>)

Bottom Boards (10)

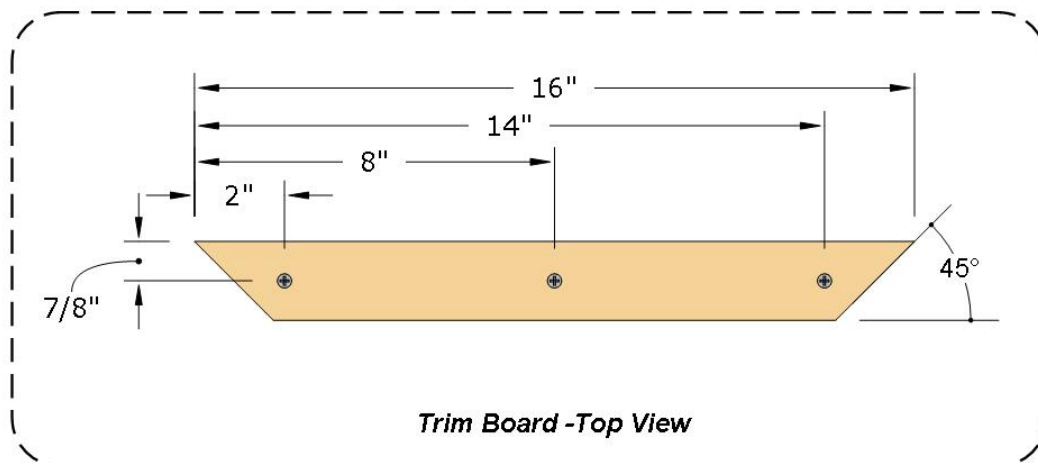
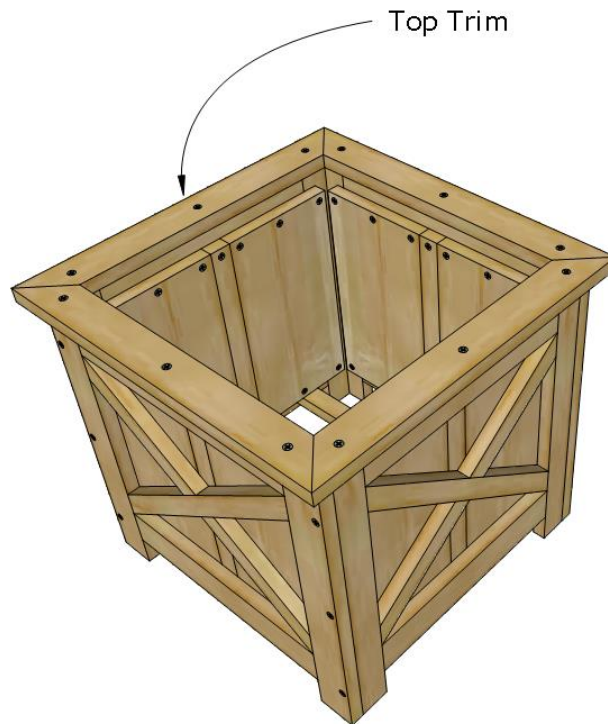


Turn over and attach Bottom boards. Pre-Drill and screw.



(<https://www.youtube.com/c/MatthewPeechWoodworkingAndDIY>)

Top Trim(11)



Cut top trim boards and install.

Trim is cut at 45° miter on both ends. 16" long tip to tip.

Paint or stain as desired.



(<https://www.youtube.com/c/MatthewPeechWoodworkingAndDIY>)