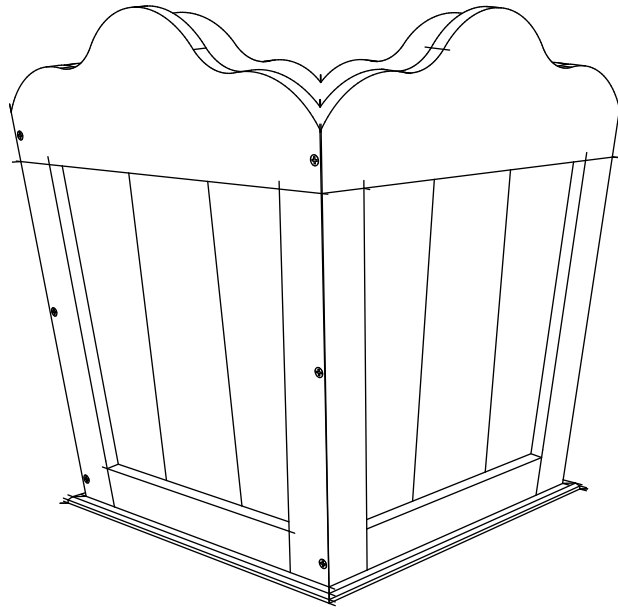


Scalloped Picket Planter



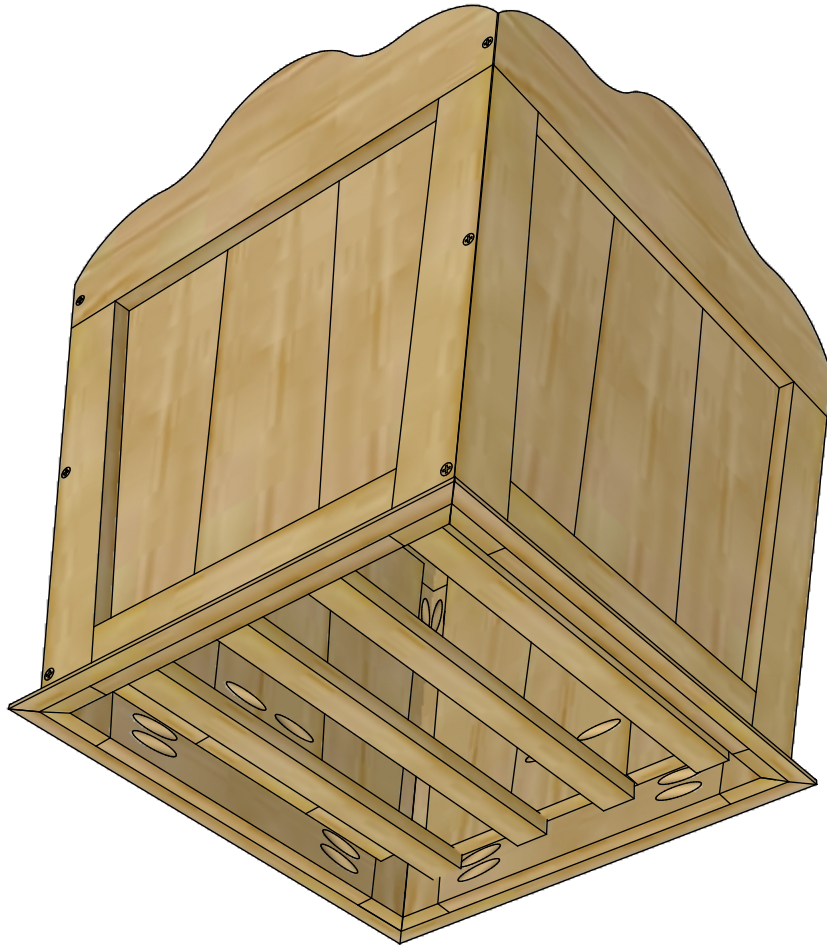
(<https://www.youtube.com/c/MatthewPeechWoodworkingAndDIY>)

Perspective



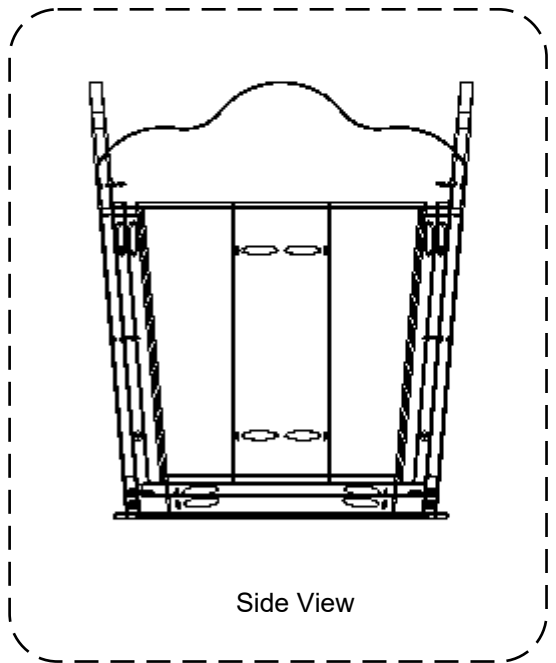
(<https://www.youtube.com/c/MatthewPeechWoodworkingAndDIY>)

Perspective



(<https://www.youtube.com/c/MatthewPeechWoodworkingAndDIY>)

X-Ray

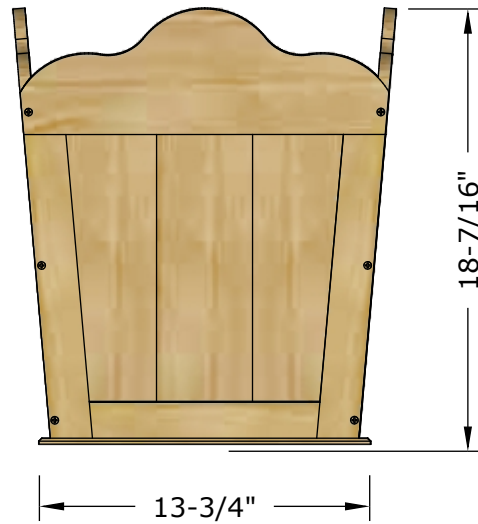


Side View

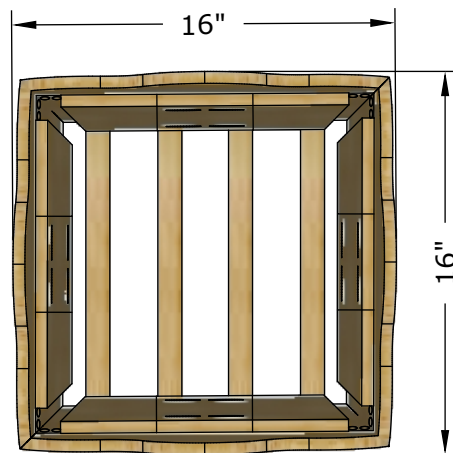


(<https://www.youtube.com/c/MatthewPeechWoodworkingAndDIY>)

Overall Dimensions



Front

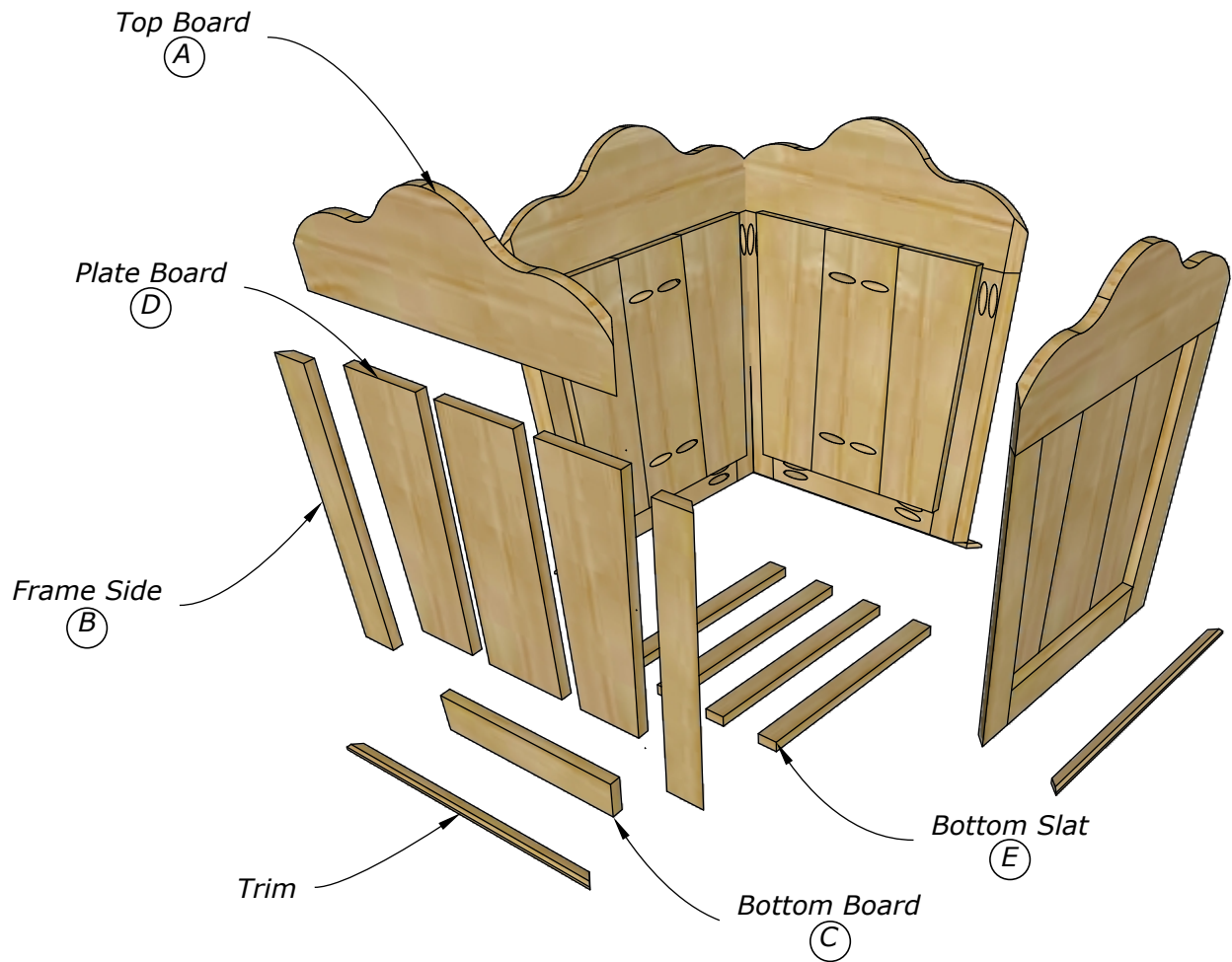


Top



(<https://www.youtube.com/c/MatthewPeechWoodworkingAndDIY>)

Exploded



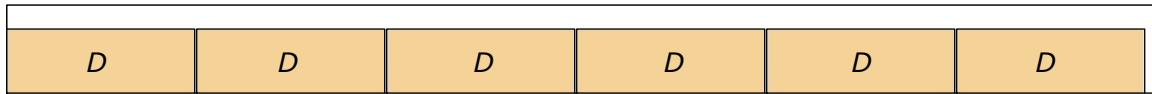
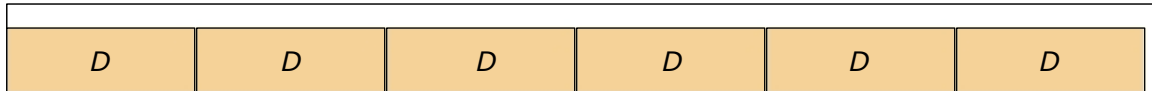
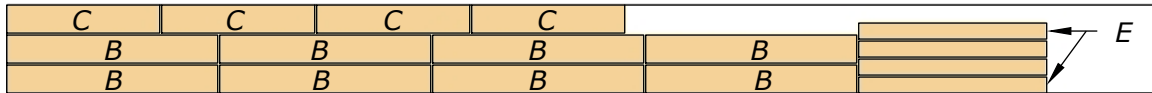
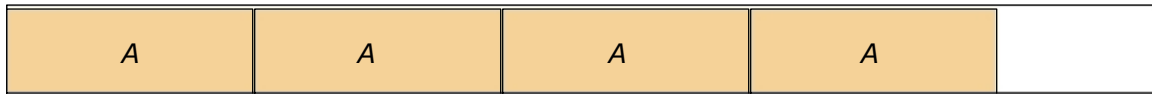
(<https://www.youtube.com/c/MatthewPeechWoodworkingAndDIY>)

Part List

Parts	Description	Quantity	Length	Width	Thickness	Material
A	Top Board	4	16"	5 1/4"	1/2"	Fence Picket
B	Frame Side	8	13"	1 3/4"	1/2"	Fence Picket
C	Bottom Board	4	9 5/8"	1 3/4"	1/2"	Fence Picket
D	Plate Board	12	11 3/4"	4"	1/2"	Fence Picket
E	Bottom Slat	4	11 3/4"	1"	1/2"	Fence Picket

Cutting Diagram

1/2" x 5-1/2" x 72" (Four Boards)

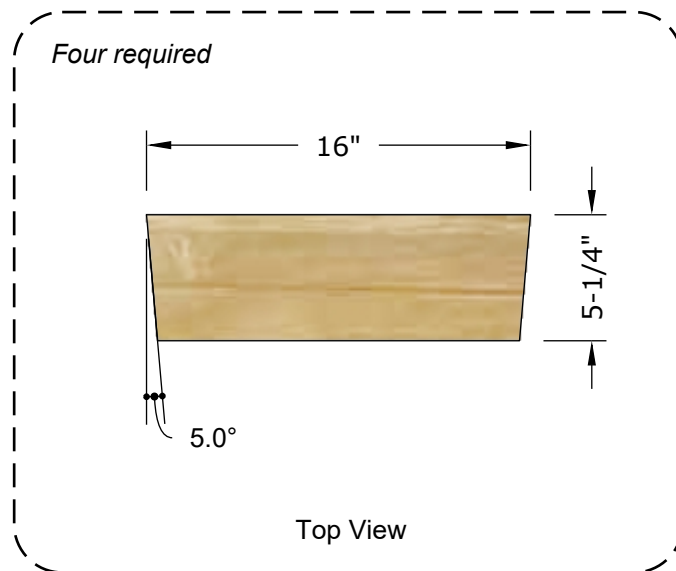
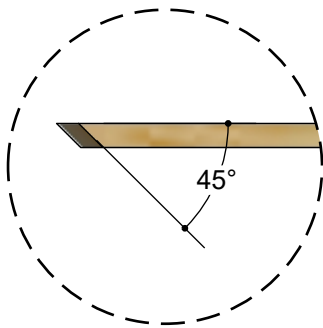
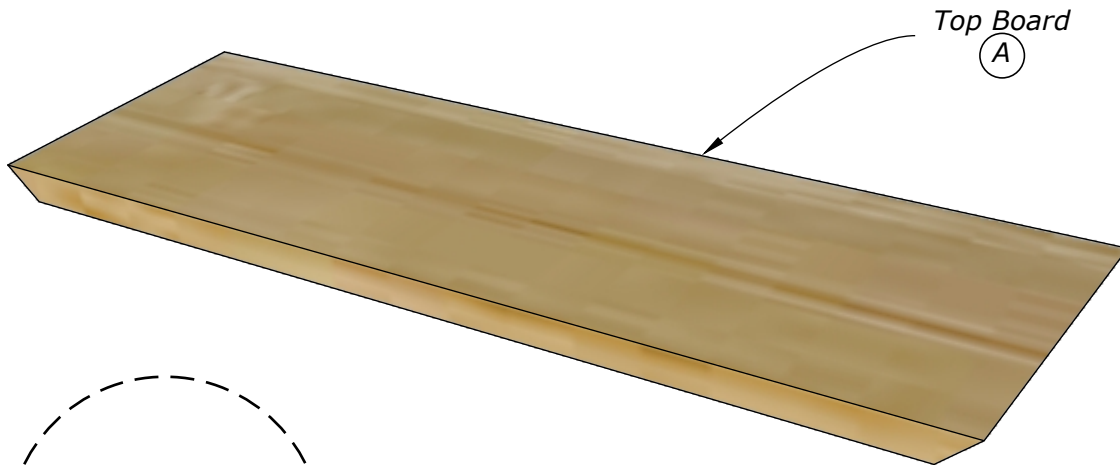


(<https://www.youtube.com/c/MatthewPeechWoodworkingAndDIY>)

1 The Scalloped Top:

Start by cutting your top boards. For this, a compound miter will be needed.

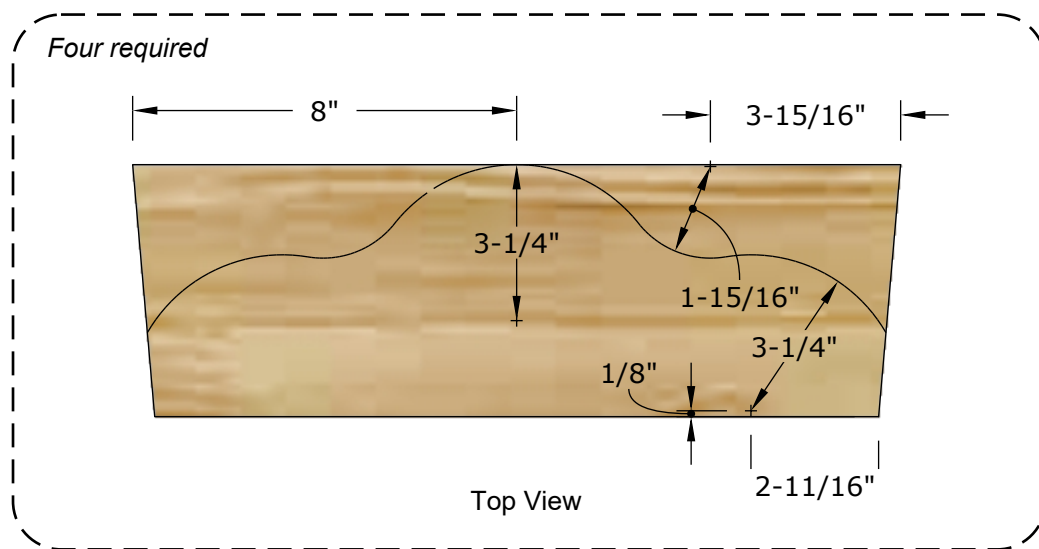
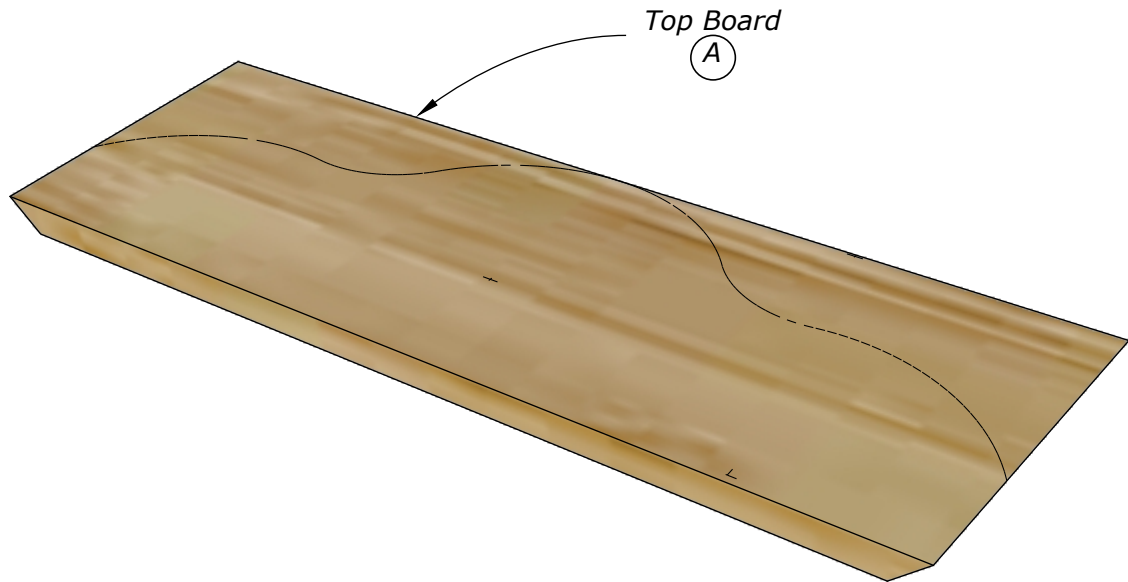
Set your compound miter saw to have a 45° bevel to the left and a 5° miter to the right. You can cut both sides with this setting by flipping the board.



(<https://www.youtube.com/c/MatthewPeechWoodworkingAndDIY>)

2 Scalloped Template:

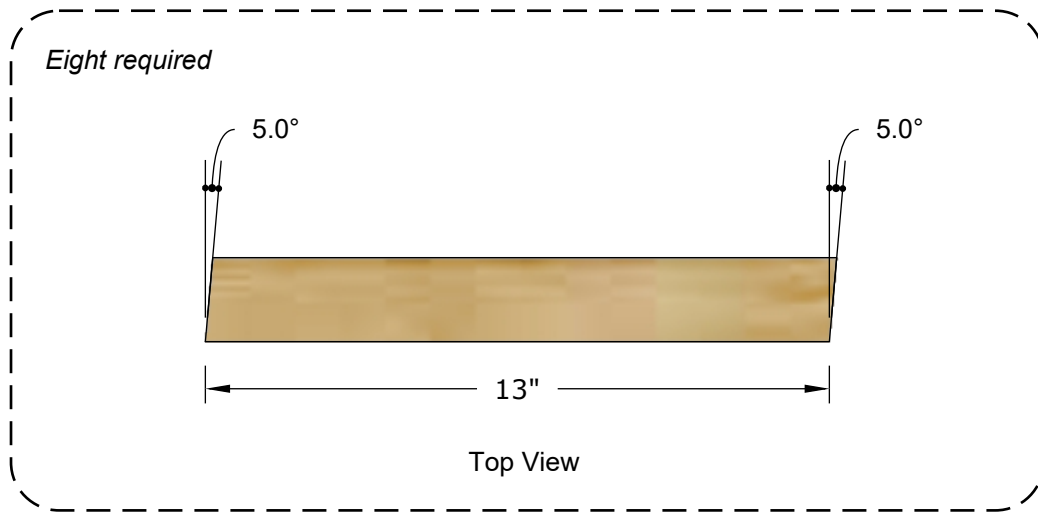
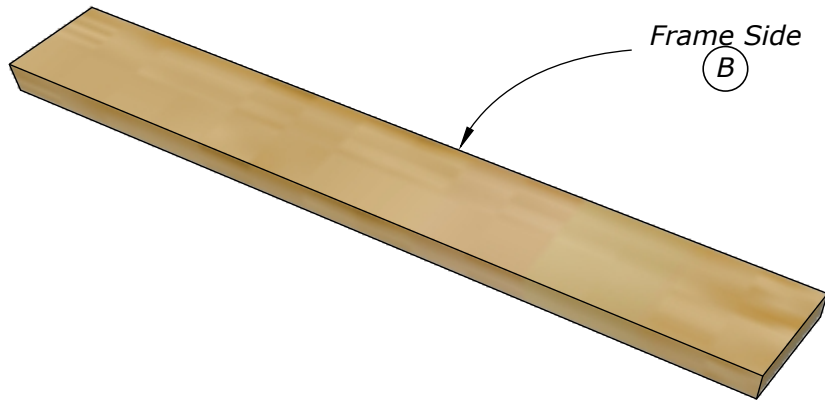
The template needs to be the same dimensions as the top board including the mitered sides. Follow the instructions from the video to create your own, or use the provided template. (see pages 20-21)



(<https://www.youtube.com/c/MatthewPeechWoodworkingAndDIY>)

3 Frame Sides:

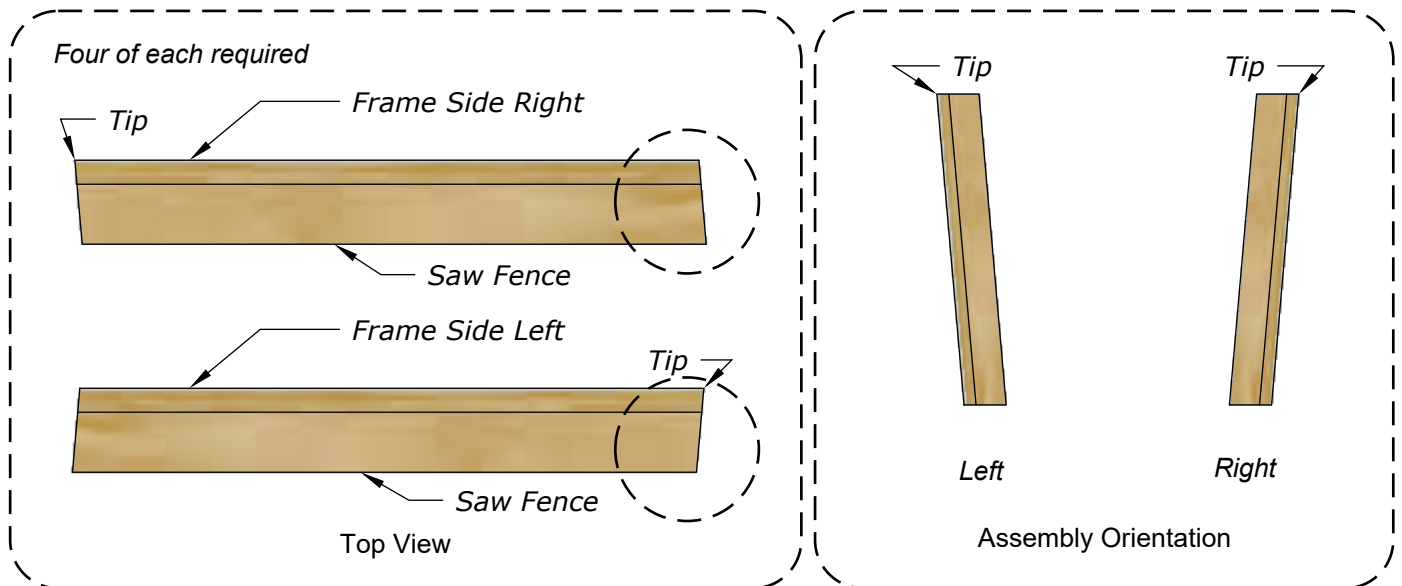
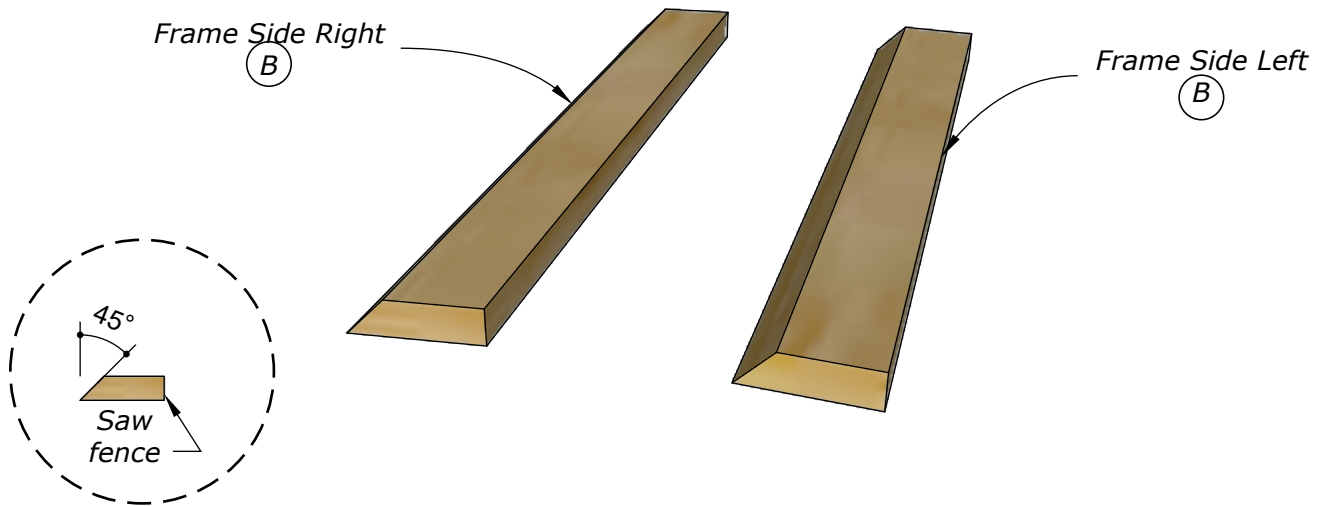
Add 5° degree angles on each side board. Keep in mind that the 13" measurement is tip to tip.



(<https://www.youtube.com/c/MatthewPeechWoodworkingAndDIY>)

4 Split the 8 side boards into 2 groups of 4:

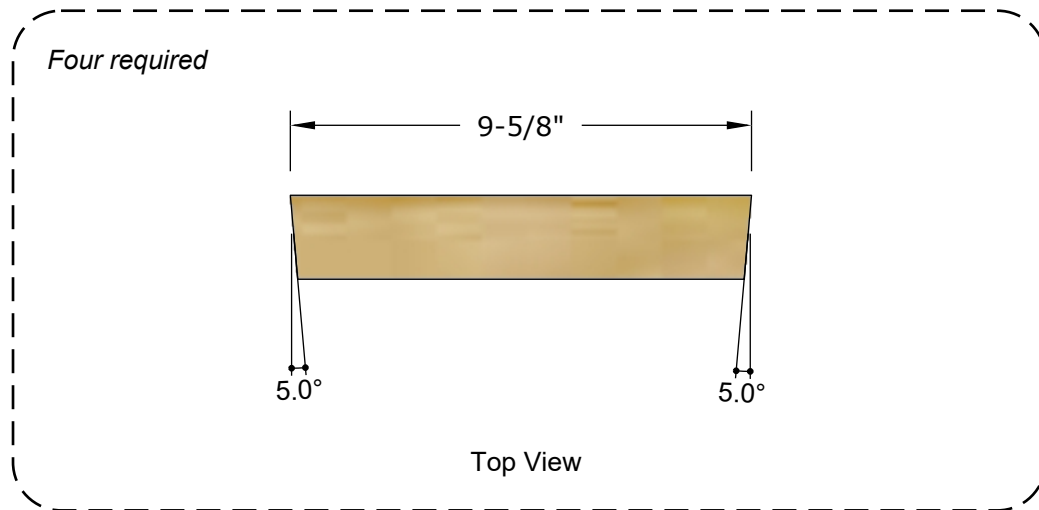
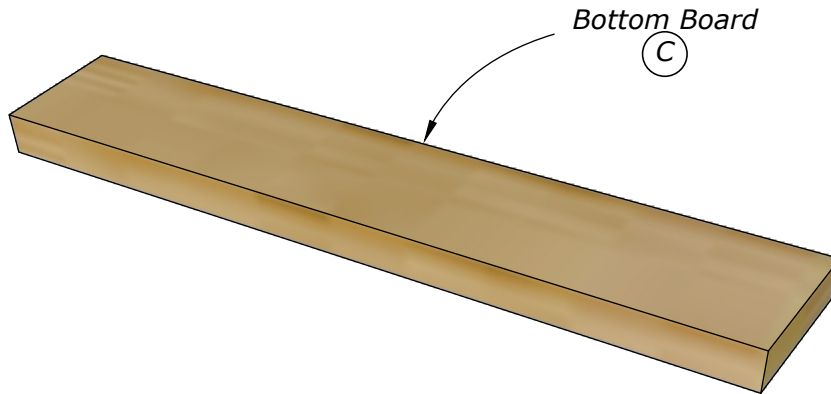
These will be Left and Right side boards. With your table saw set to 45° rip the edges of four boards with the angles longer tip facing forward. Flip the remaining boards so that the longer tip is facing back and rip the 45° edge. This will give you your left and right boards. *The terms Left and right are oriented for assembly.



(<https://www.youtube.com/c/MatthewPeechWoodworkingAndDIY>)

5 Bottom Boards:

Cut the frames bottom boards and add miters.

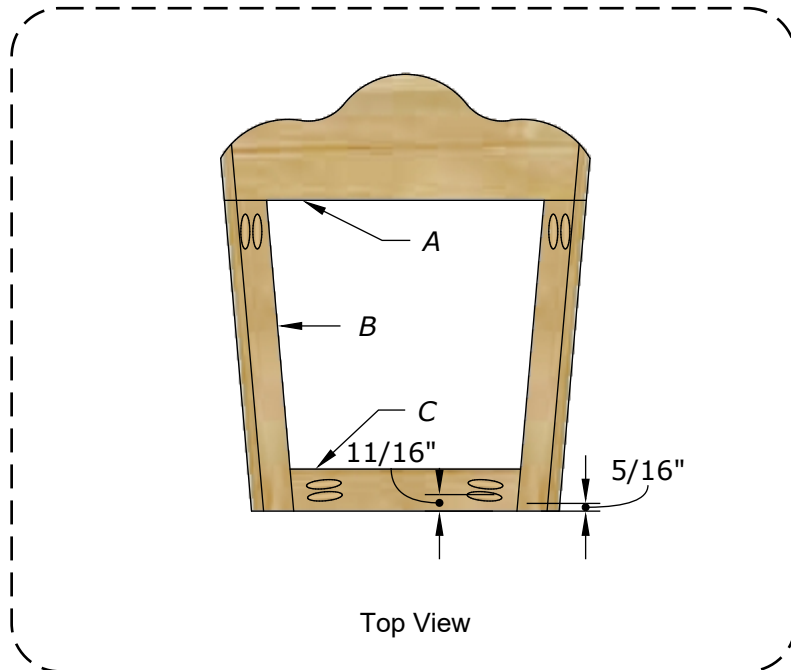
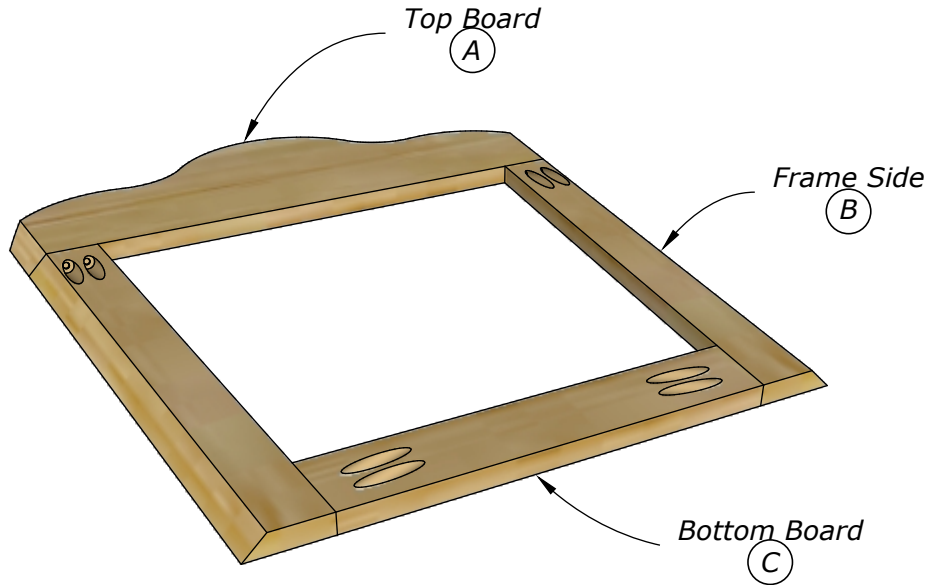


(<https://www.youtube.com/c/MatthewPeechWoodworkingAndDIY>)

6 Assemble Frames:

Cut pocket holes into bottom and side boards as shown in the diagram. All parts with angles will be assembled with the angles showing.

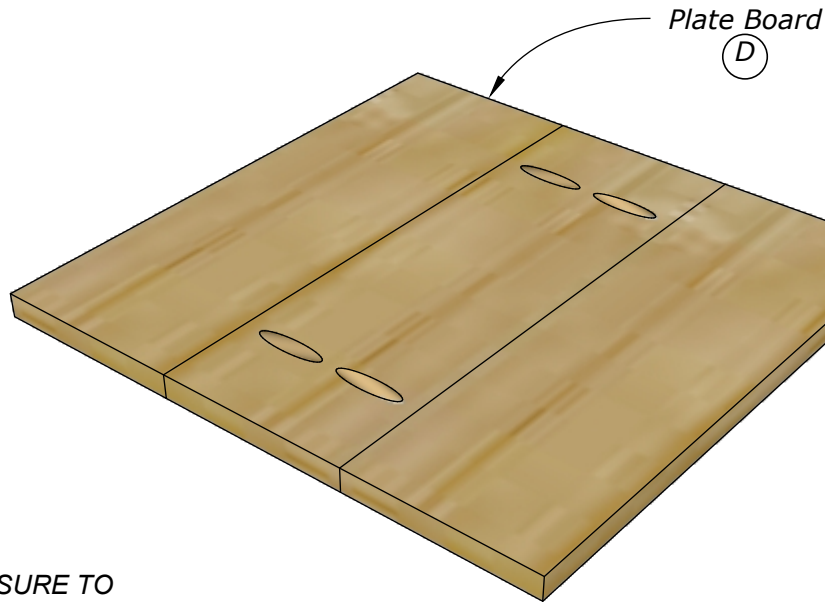
Assemble using 1" pbs and wood glue.



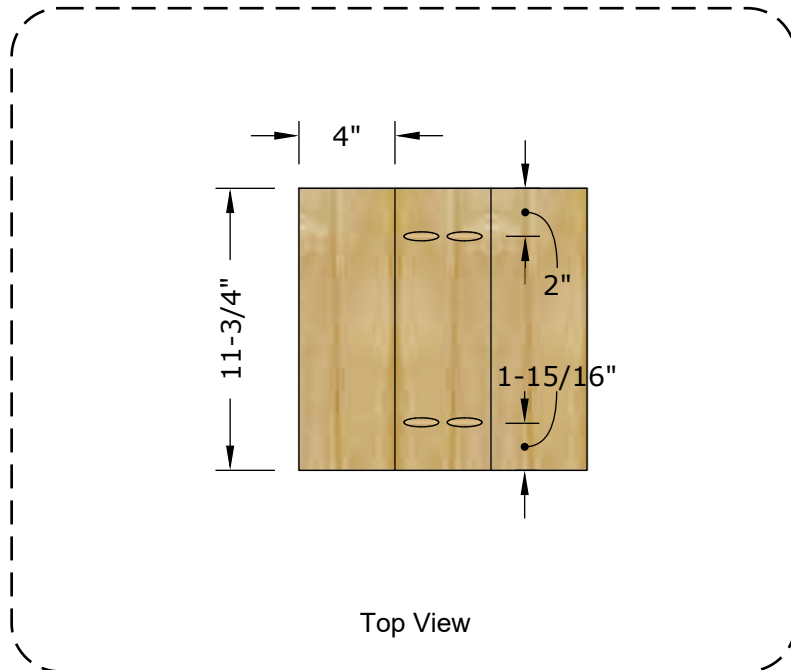
(<https://www.youtube.com/c/MatthewPeechWoodworkingAndDIY>)

7 Frame Plates:

Assemble frame plates as shown. Use wood glue and 1" pocket hole screws.



**MAKE SURE TO LET THE GLUE DRY BEFORE MOVING TO NEXT STEP.*



Top View

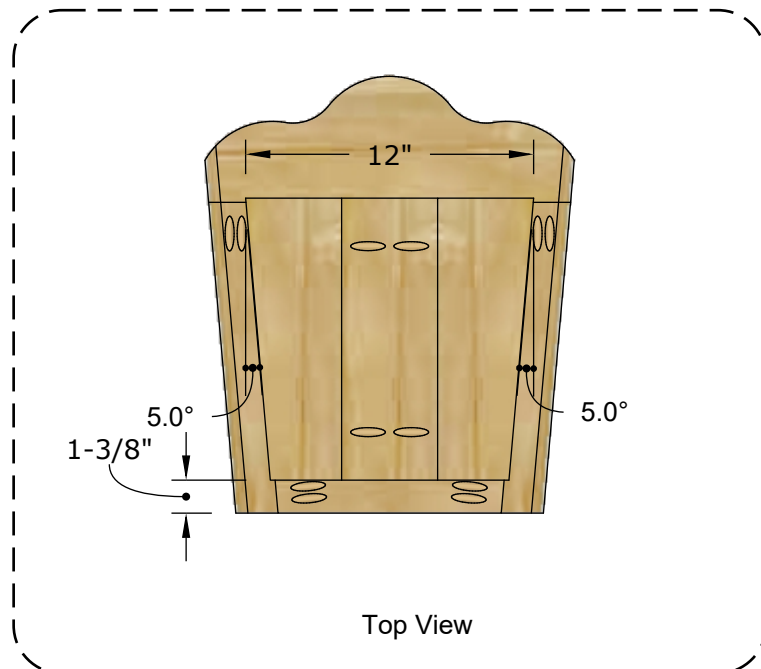
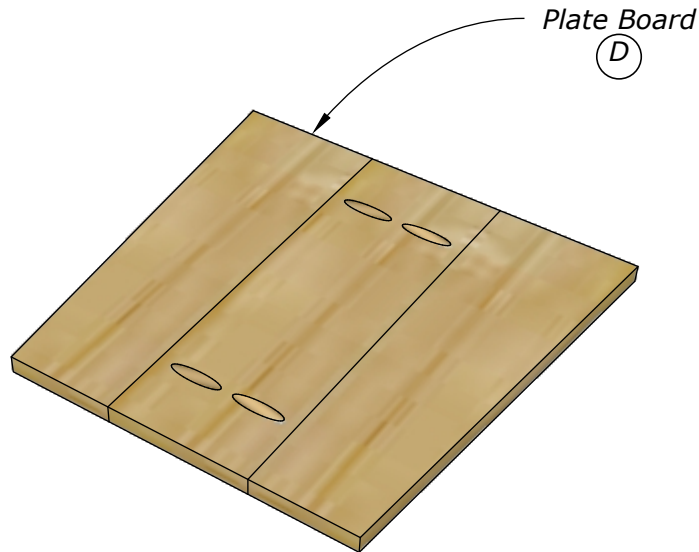


(<https://www.youtube.com/c/MatthewPeechWoodworkingAndDIY>)

18 Cut And Attach Panels To Frame:

Once the panels have dried, add a 5° angle to both sides leaving the top at 12" wide. If your miter saw is not large enough, use a circular saw.

Once panels are cut, attach to your frames using wood glue and brad nails.

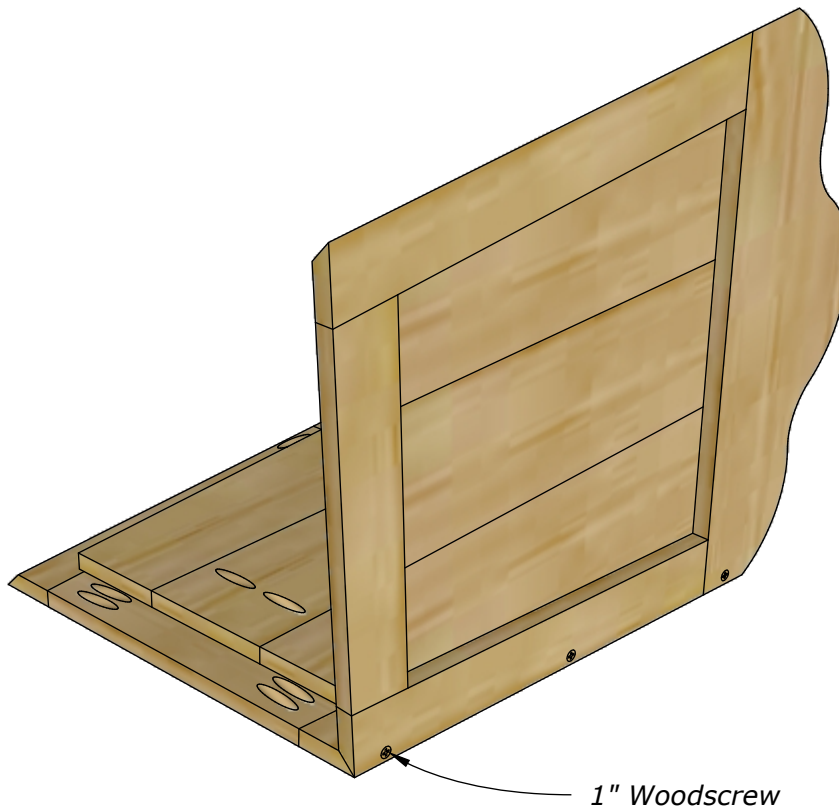


(<https://www.youtube.com/c/MatthewPeechWoodworkingAndDIY>)

19 Attach Completed Side Panels:

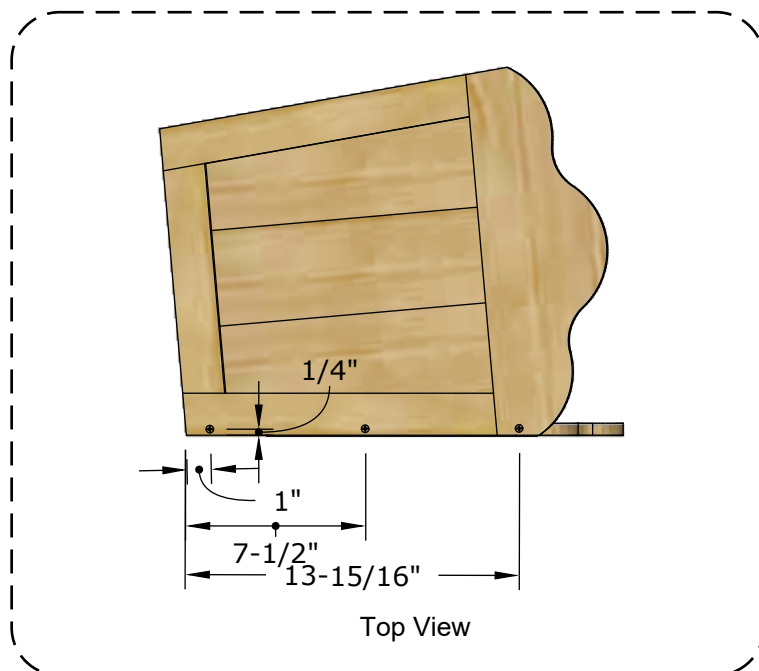
Align two side panels so that the 45° meet. Glue and install screws. Only 2 panels will need screws.

Pre-drill and counterbore all screws. Use 1" exterior screws.



**Tip: Use brad nails to hold into place while installing your screws.*

1" Woodscrew



Top View

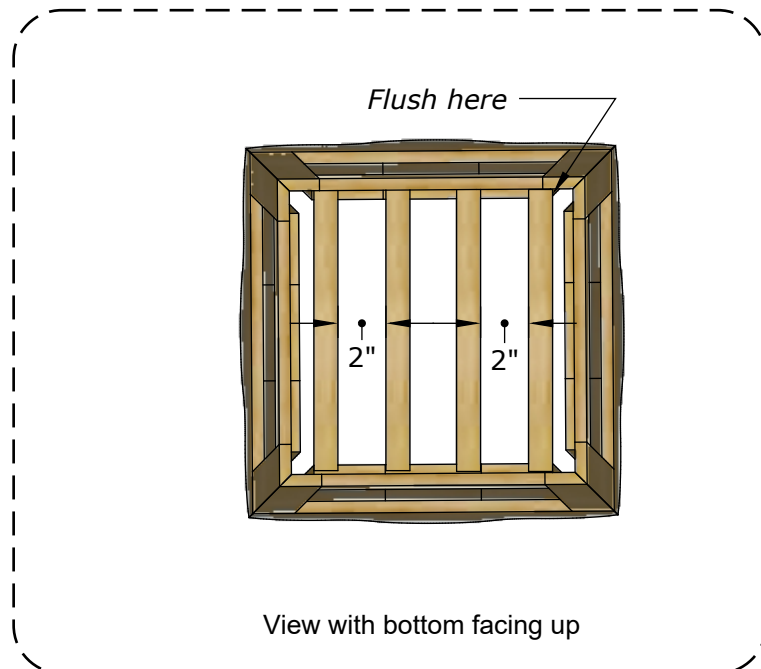
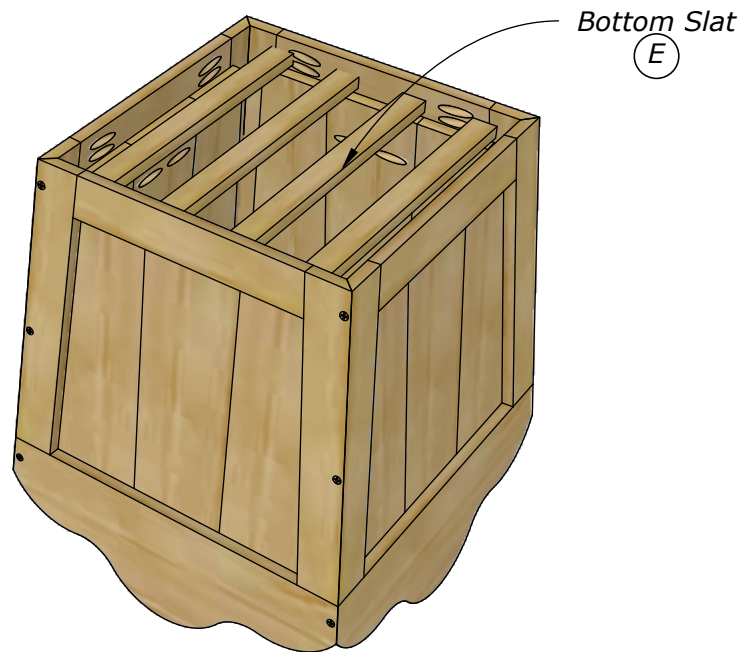


(<https://www.youtube.com/c/MatthewPeechWoodworkingAndDIY>)

20 Install Bottom Slats:

Start by attaching the two outer slats to the bottoms of opposite interior panels. The edges will be flush with the sides of the panel.

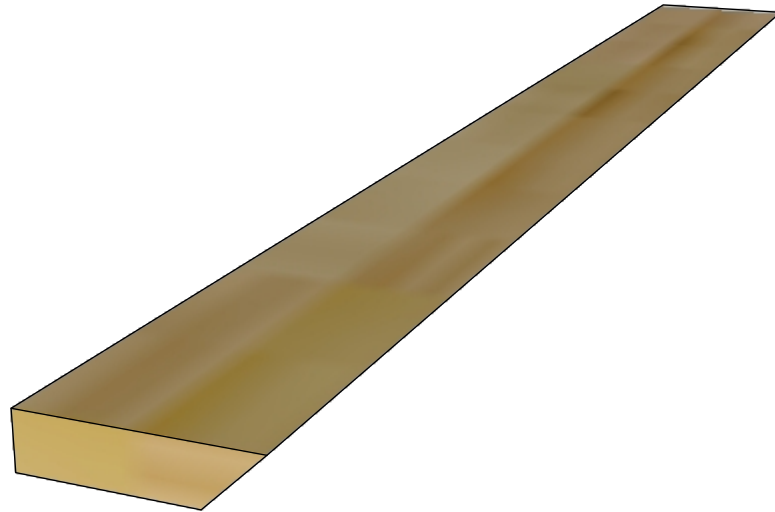
Install the remaining two boards with 2" spacing from the two outer boards. Use wood glue and 1" screws. Pre-drill and countersink.



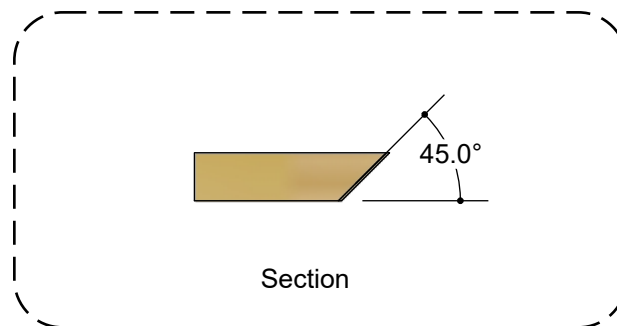
(<https://www.youtube.com/c/MatthewPeechWoodworkingAndDIY>)

21 Make Trim If Desired:

Using a leftover strip of wood, start by putting a 45° angle on one side as shown in the diagram.



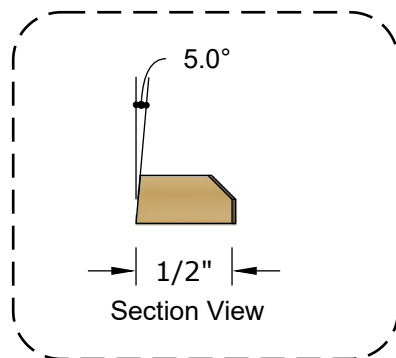
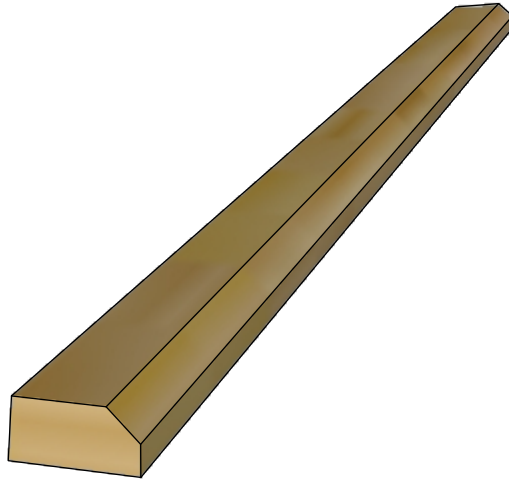
The trim strip can be the length of a picket (72") as it will be cut down to size in the next steps.



(<https://www.youtube.com/c/MatthewPeechWoodworkingAndDIY>)

22 Cut Trim:

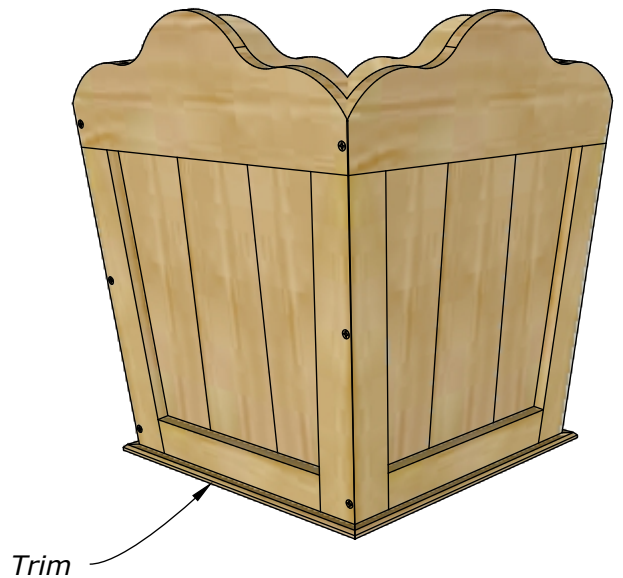
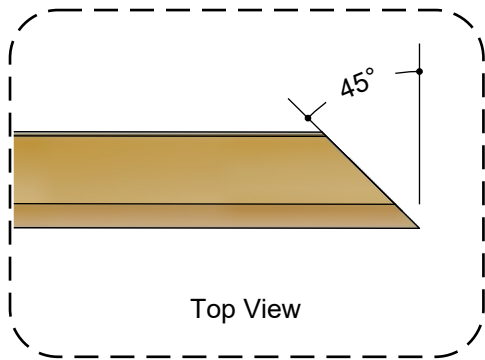
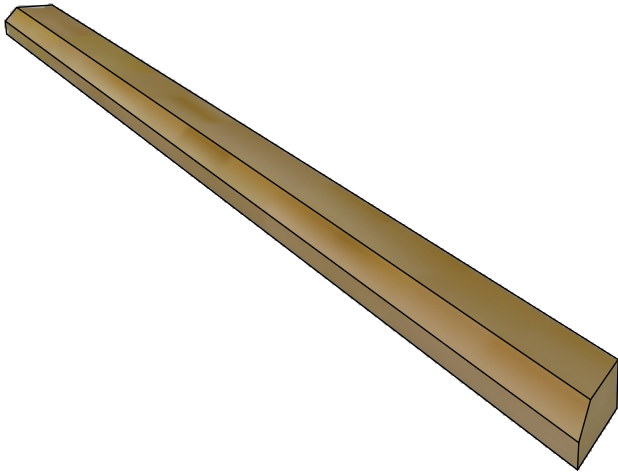
With the blade back to 90°, remove 1/4" of the 45° angle. Set your blade to 5° and your fence so that 1/2" of the board (the trim) will be removed.



(<https://www.youtube.com/c/MatthewPeechWoodworkingAndDIY>)

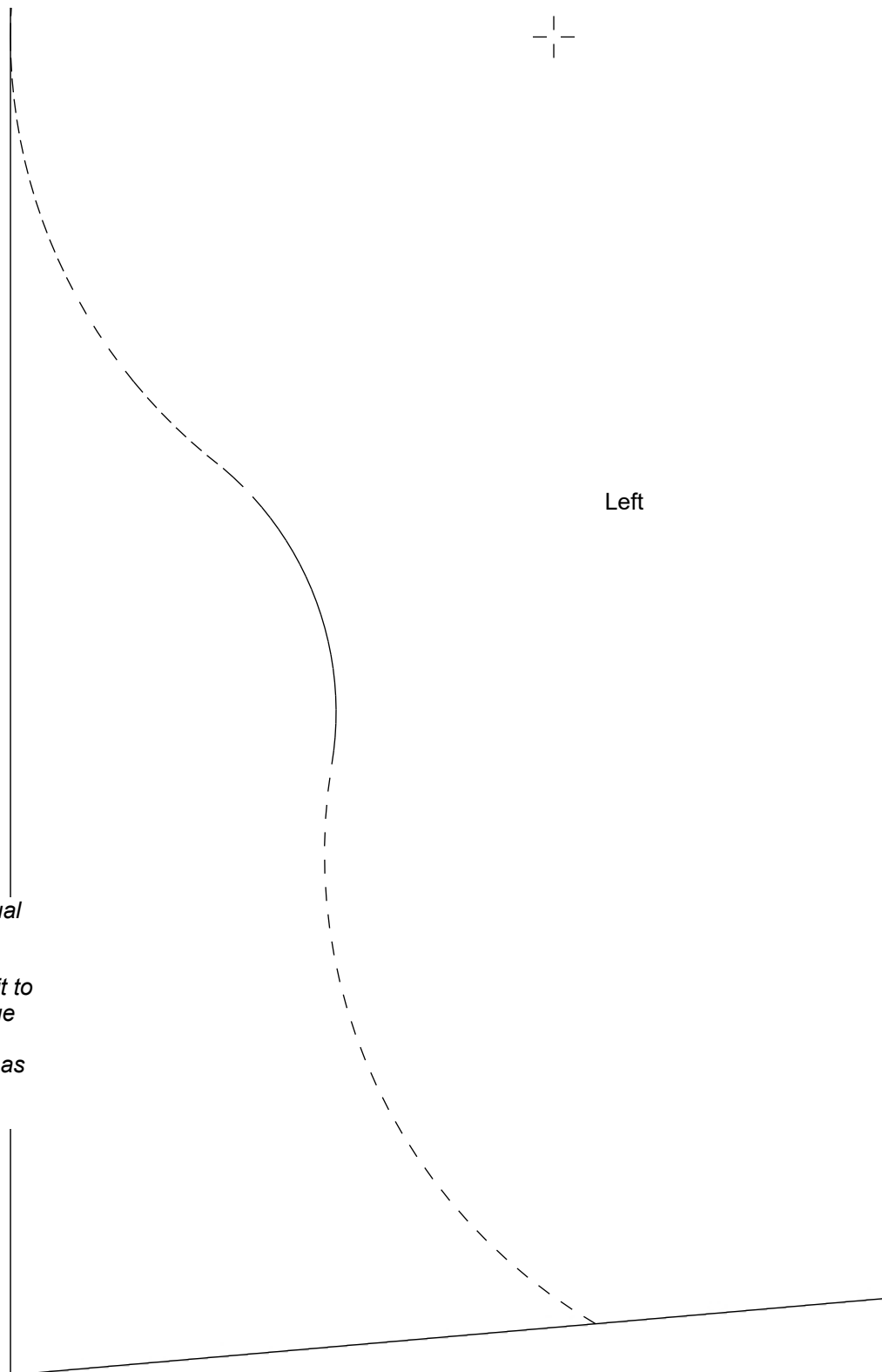
23 Install Trim:

Add 45° miters to trim boards. They should be 14" long from tip to tip but it is recommended that you custom fit each side. Install using wood glue and brad nails.



(<https://www.youtube.com/c/MatthewPeechWoodworkingAndDIY>)

Full Size Template (a):



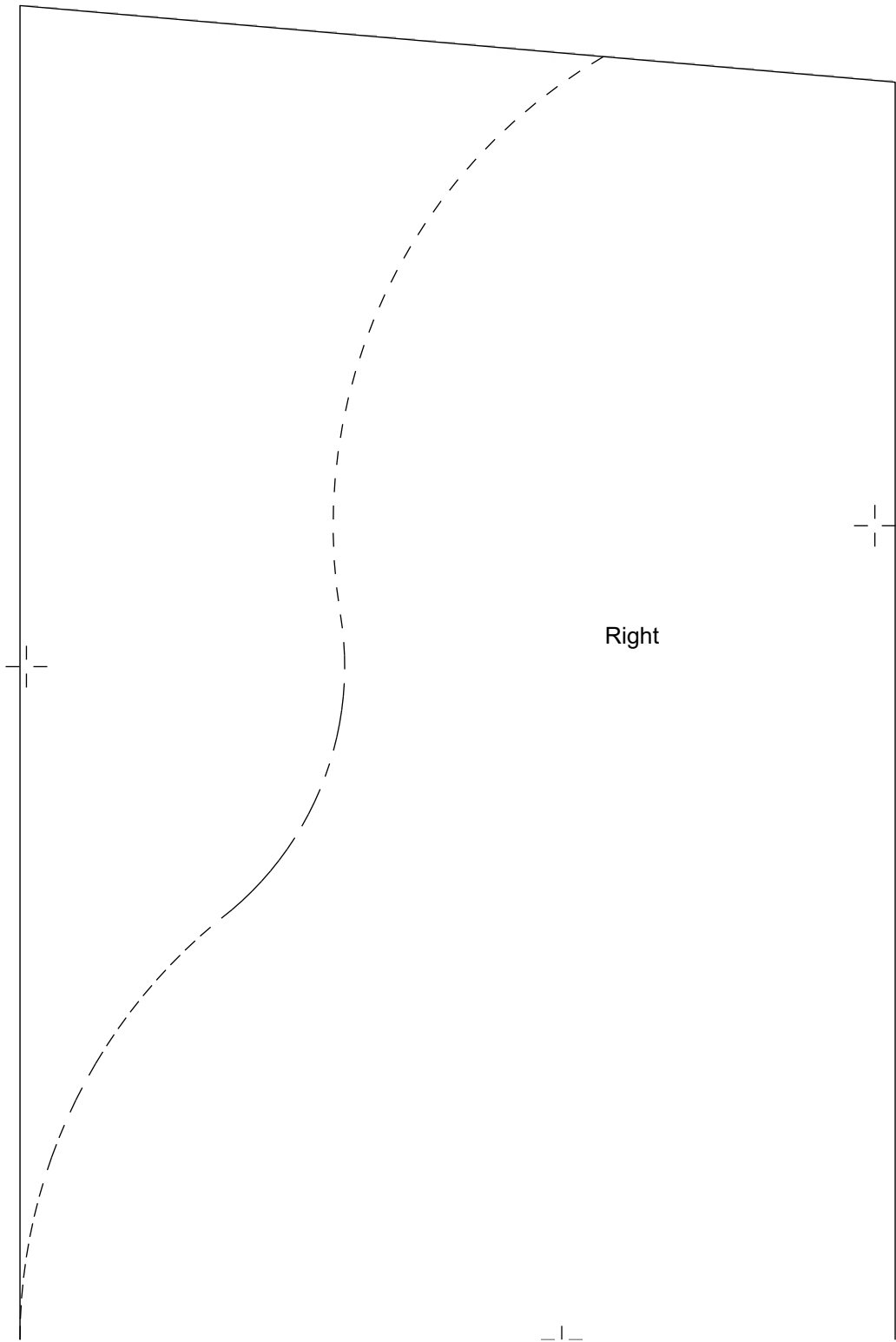
To print the template at actual size, follow these steps:

1. Choose File > Print.
2. Select "Actual size" or "Fit to Printable Area" from the Page Scaling options.
3. Adjust any other settings as needed.
4. Click OK to print.



(<https://www.youtube.com/c/MatthewPeechWoodworkingAndDIY>)

Full Size Template (b):



(<https://www.youtube.com/c/MatthewPeechWoodworkingAndDIY>)

Graphic Designer: John Roa :: roa.john@yahoo.com ::

Take the Next Step in Your Woodworking Journey

Enjoyed this digital plan? Claim 10% OFF and expand your skills with the **Woodworking Kickstart** course!

- **Learn the Essentials:** All the tips, tricks, and techniques I've mastered over the years.
- **Step-by-Step Guidance:** Clear, detailed lessons for all levels.
- **6 In-Depth Builds:** Follow along with complete start-to-finish projects, video breakdowns, plans, resources, and guides.
- **Join the Community:** Hundreds of members collaborating, sharing, and connecting worldwide.



Special Offer:

Use code "Plans 10" for 10% off the course for a limited time.

[MATTHEWPEECH.COM/COURSE](https://www.matthewpeech.com/course)

Let's keep building together!

- Matthew Peech



(<https://www.youtube.com/c/MatthewPeechWoodworkingAndDIY>)